

**Owner:**  
 Campbell County Memorial Hospital  
 501 South Burma Ave.  
 Gillette, WY 82716  
 P.O. Box 3011  
 Gillette, WY 82717  
 Ph. 307.688.1000

**Civil Engineer:**  
 PCA Engineering, Inc.  
 P.O. Box 2185  
 4506 Wigwam Blvd.  
 Gillette, WY 82718  
 Ph. 307.687.0800  
 Contact: Clark Sanders

**Structural Engineer:**  
 Jirsa Hedrick & Associates  
 7000 E. Bellevue Ave. Suite 250  
 Greenwood Village, CO 80111  
 Ph. 303.839.1963  
 Contact: Steve Jirsa

**Mechanical/Plumbing Engineer:**  
 Given & Associates, Inc.  
 735 S. Xenon Court, Suite 201  
 Lakewood, CO 80228  
 Ph. 303.716.1270  
 Contact: Jeff Given

**Electrical Engineer:**  
 Alber Engineering  
 5173 Oak Hollow Drive  
 Morrison, CO 80465  
 Ph. 303.736.2739  
 Contact: Jerry Alber

**Interior Design:**  
 LBA Interiors  
 5650 DTC Parkway, Suite 100  
 Englewood, CO 80111  
 Ph. 303.773.0436  
 Contact: Mary Lou Parham

**Food Service:**  
 United Restaurant Supply, Inc.  
 725 Clark Place  
 Colorado Springs, CO 80915  
 Ph. 719.574.3220  
 Contact: Jon Bluhm

**Landscape Architect:**  
 Four Front Design, Inc.  
 517 7th Street  
 Rapid City, SD 57701  
 Ph. 605.342.9470  
 Contact: Eirik Heikes

No.	Date	Description
1	05/17/2013	Design Development
2	10/31/2013	Construction Documents

Seal:

Key Plan:

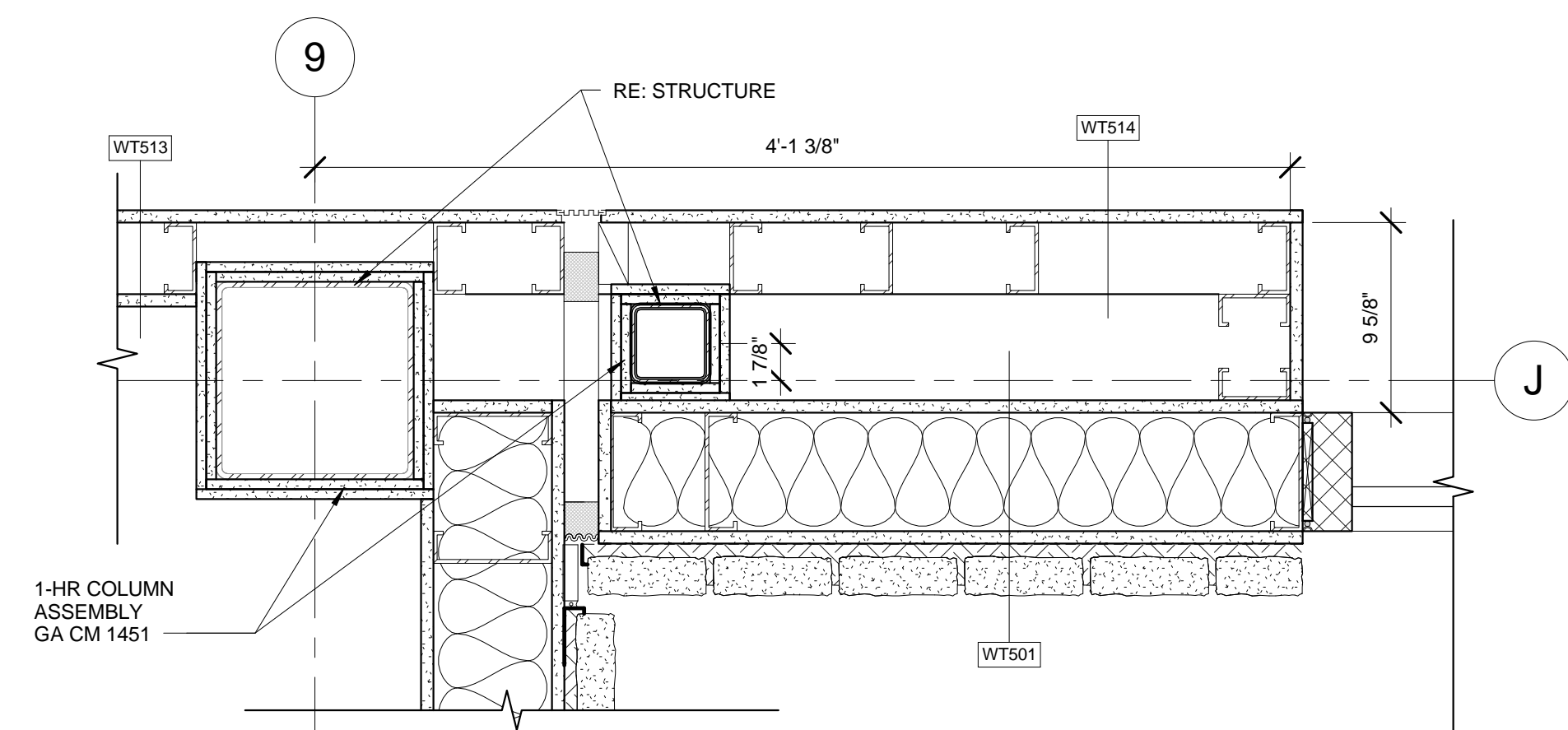
LBA Project Number: 2012.3000  
 Date: October 31, 2013

**COLUMN DETAILS**

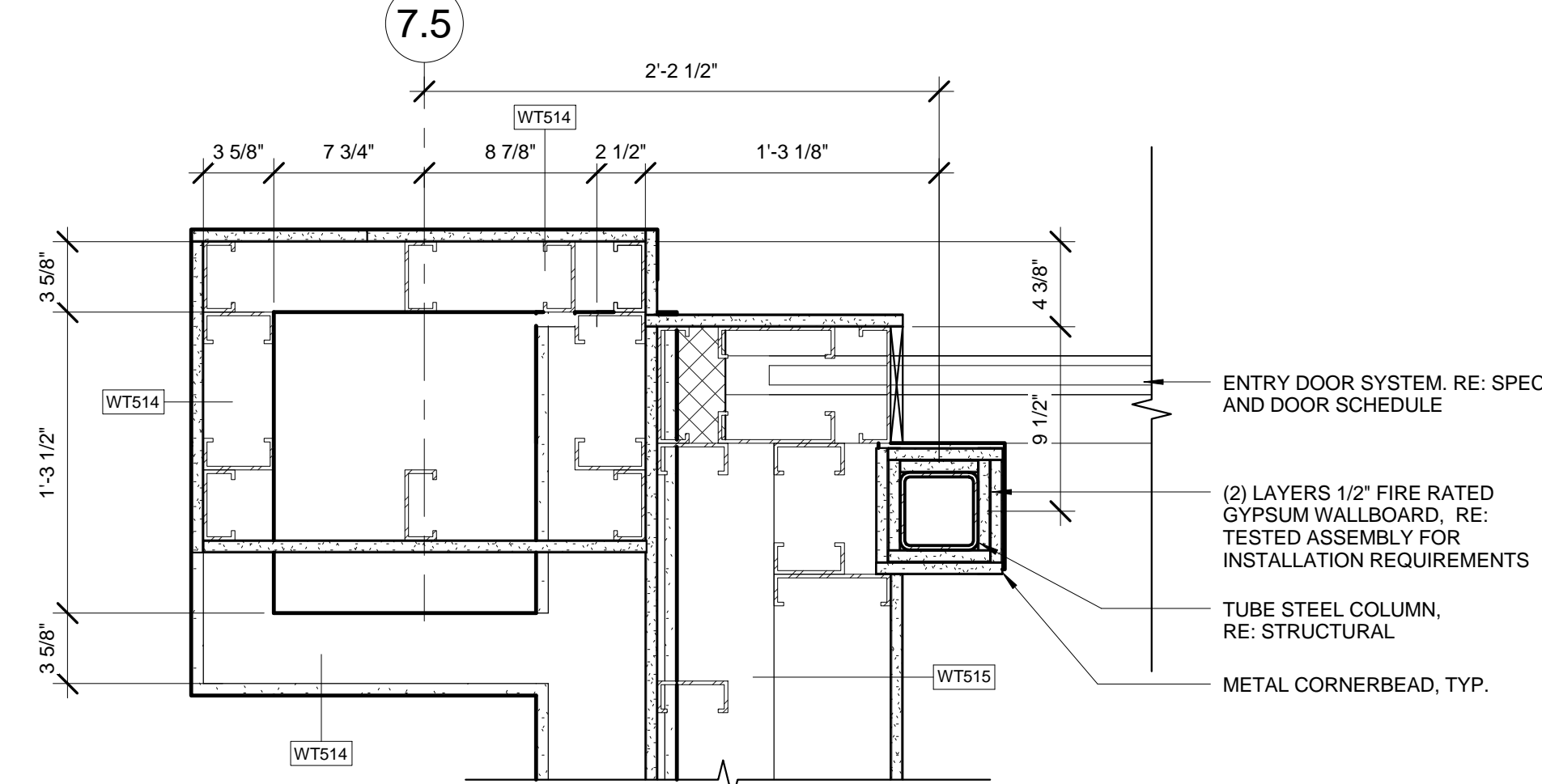
**A-551**

DRAWN BY: Author

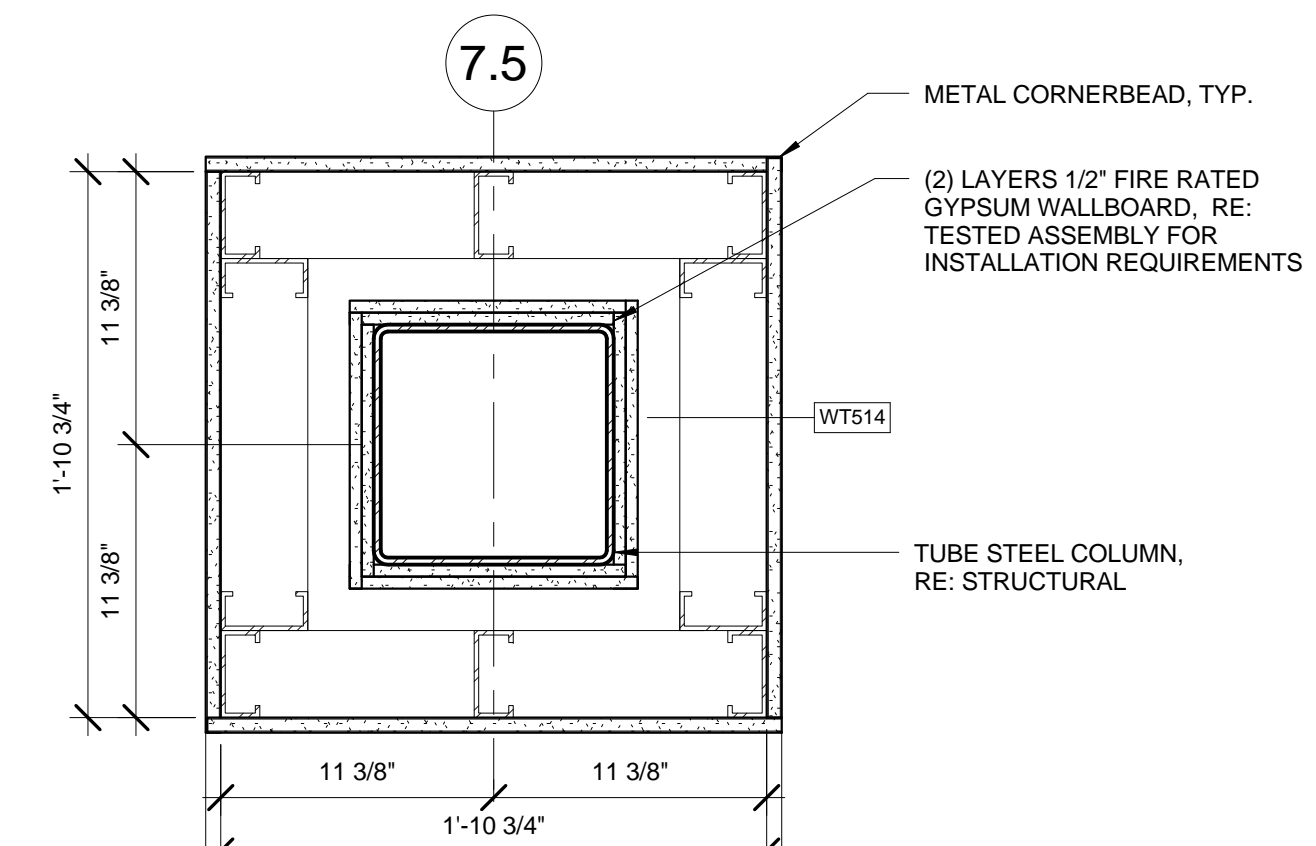
2013 Copyright ©



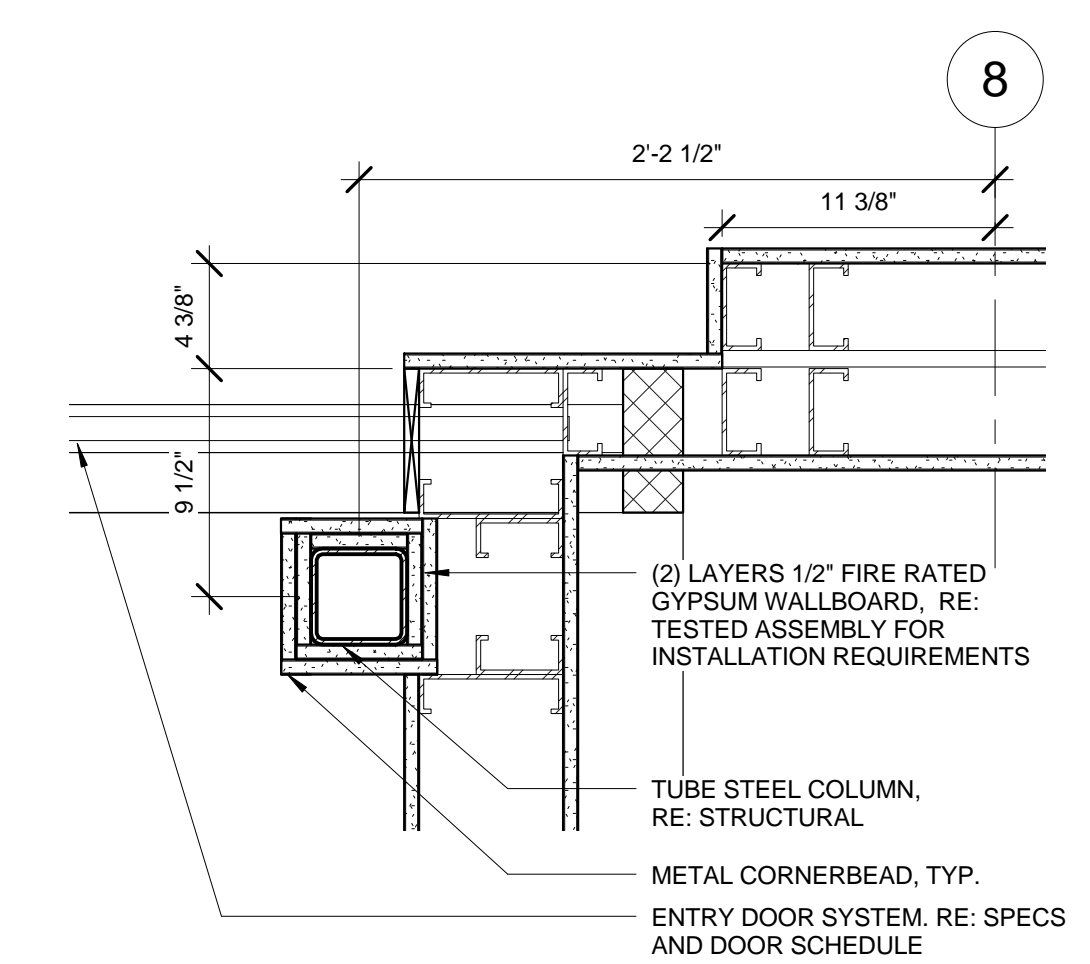
**5 COLUMN DETAIL 36**  
 SCALE: 1 1/2" = 1'-0"



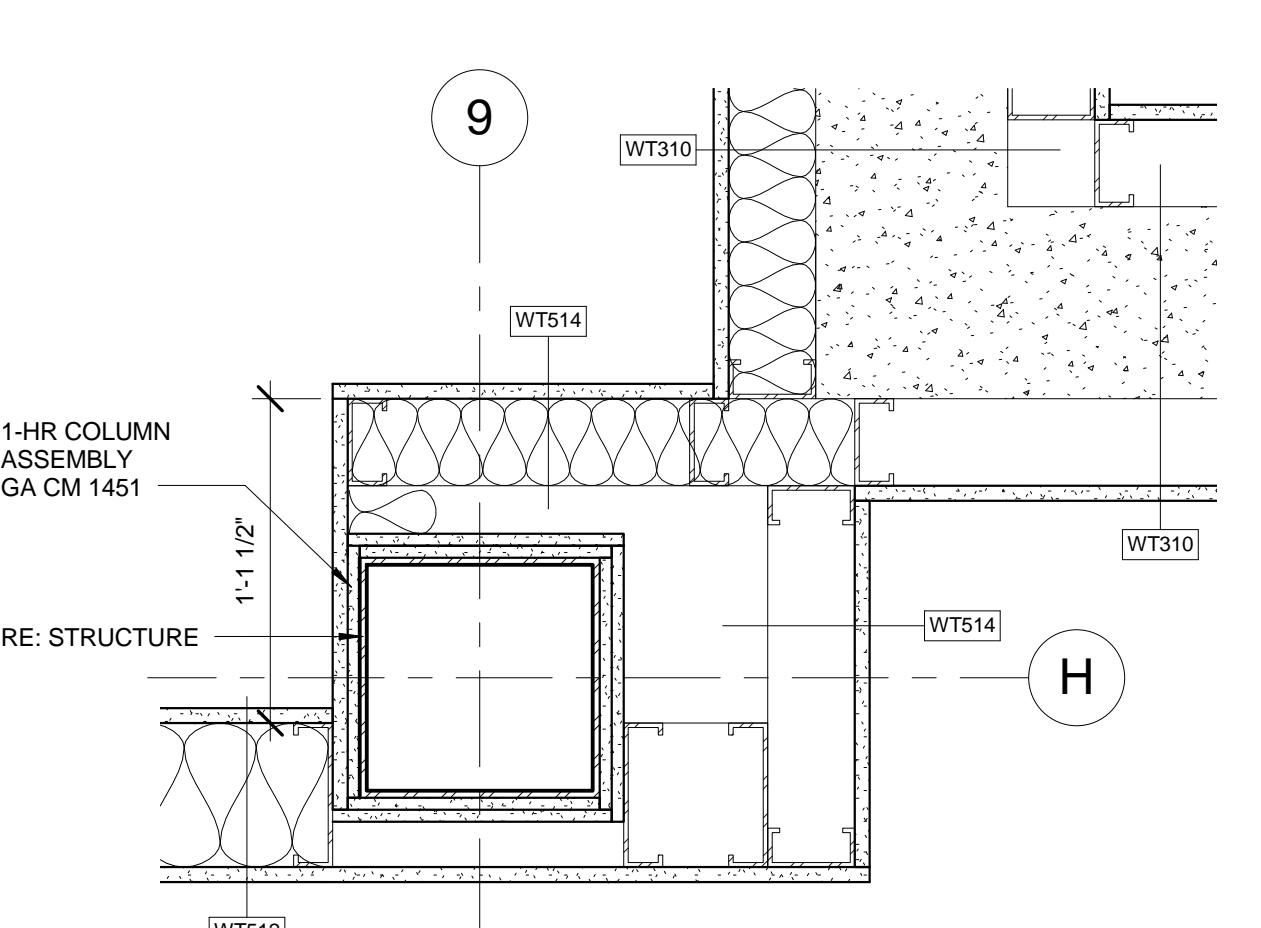
**4 COLUMN DETAIL 35**  
 SCALE: 1 1/2" = 1'-0"



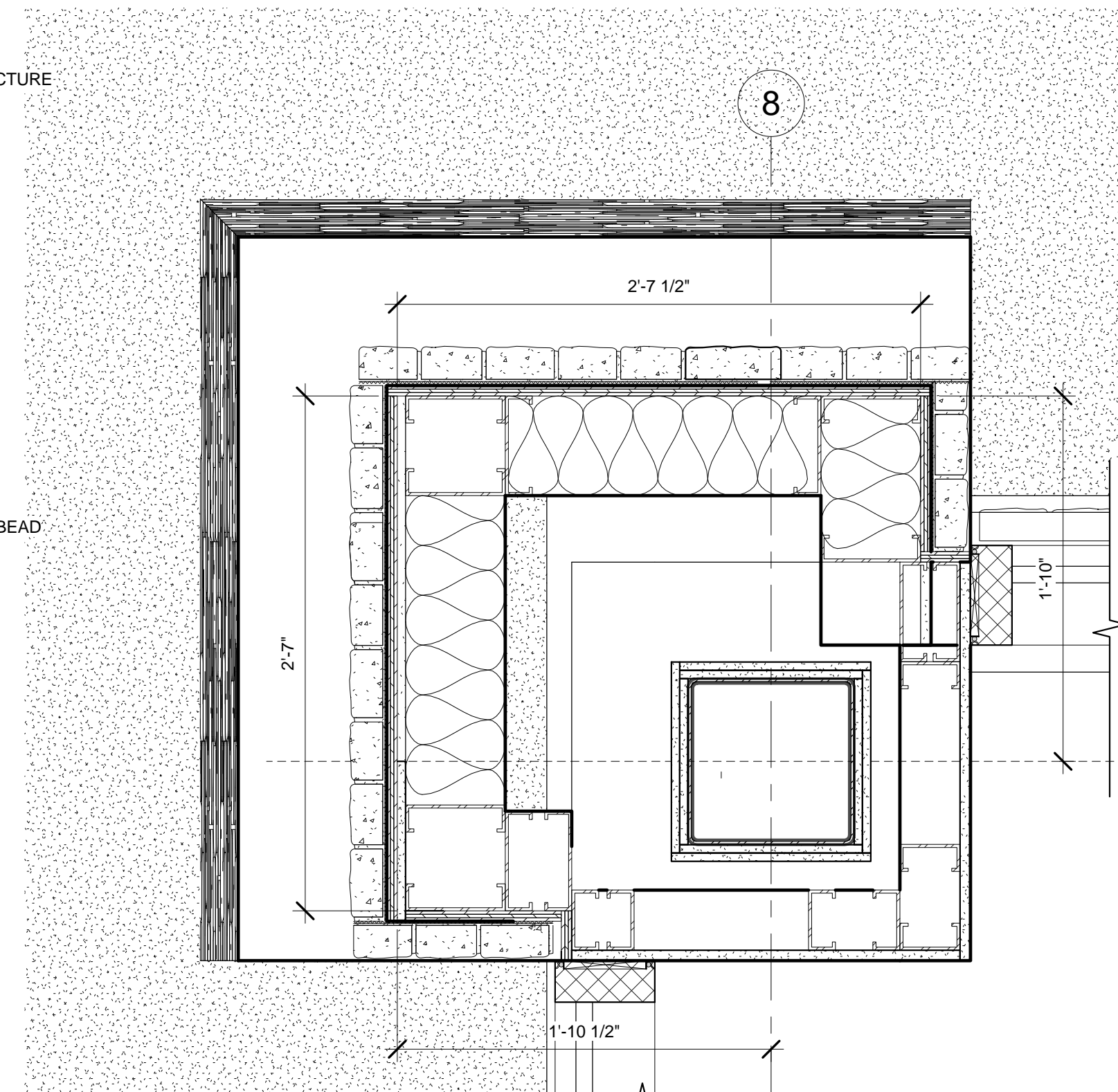
**3 COLUMN DETAIL 34**  
 SCALE: 1 1/2" = 1'-0"



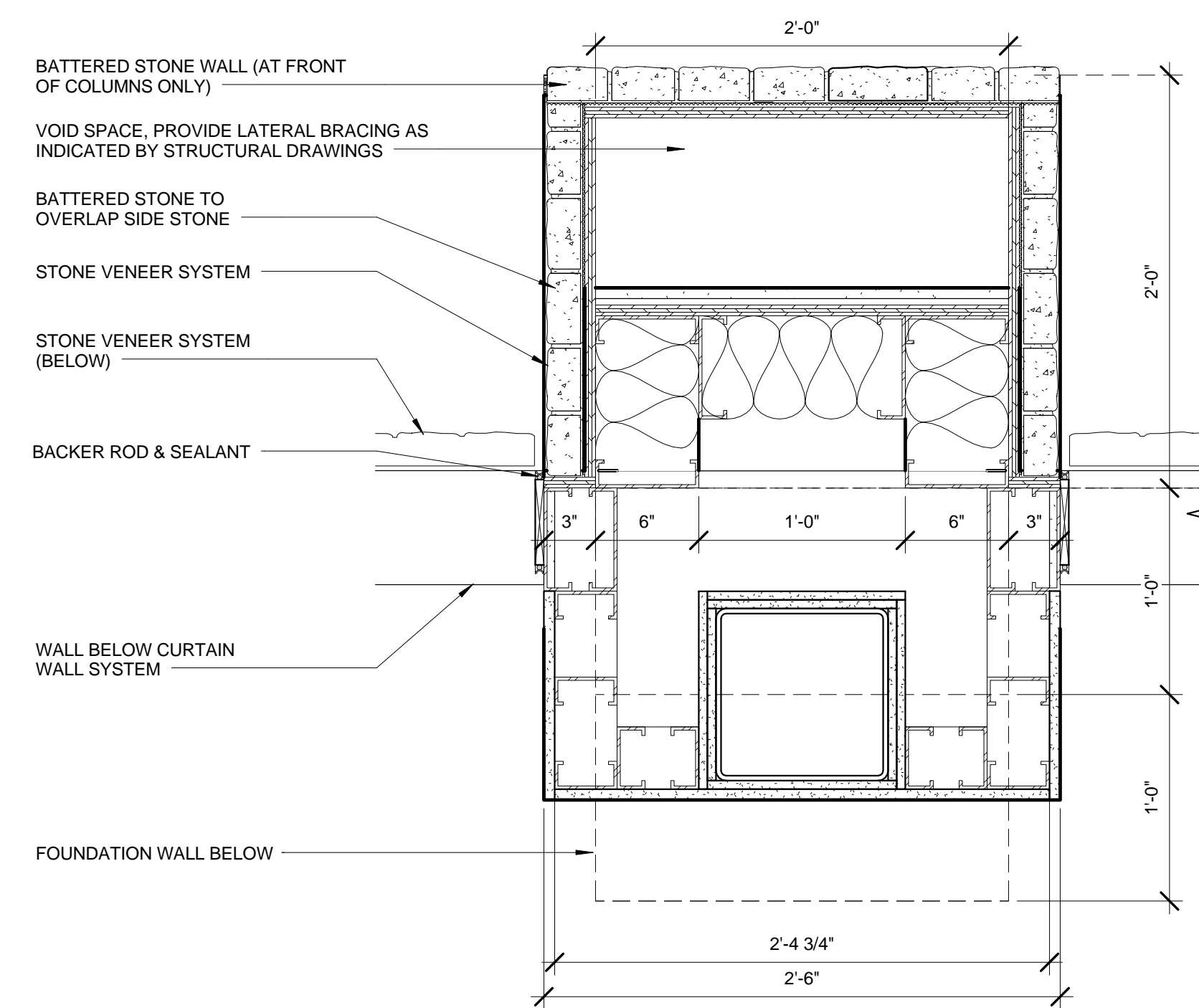
**2 COLUMN DETAIL 33**  
 SCALE: 1 1/2" = 1'-0"



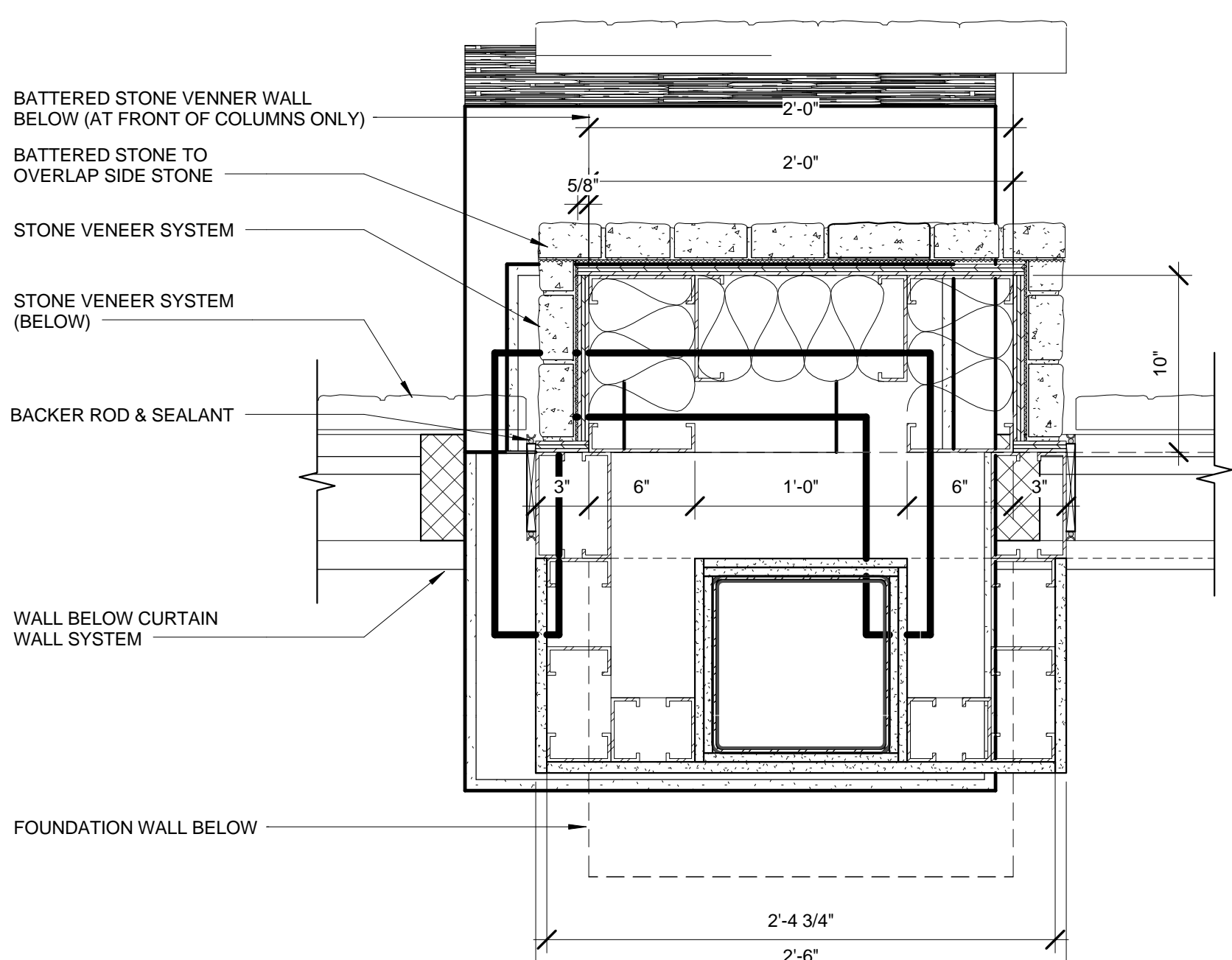
**1 COLUMN DETAIL 32**  
 SCALE: 1 1/2" = 1'-0"



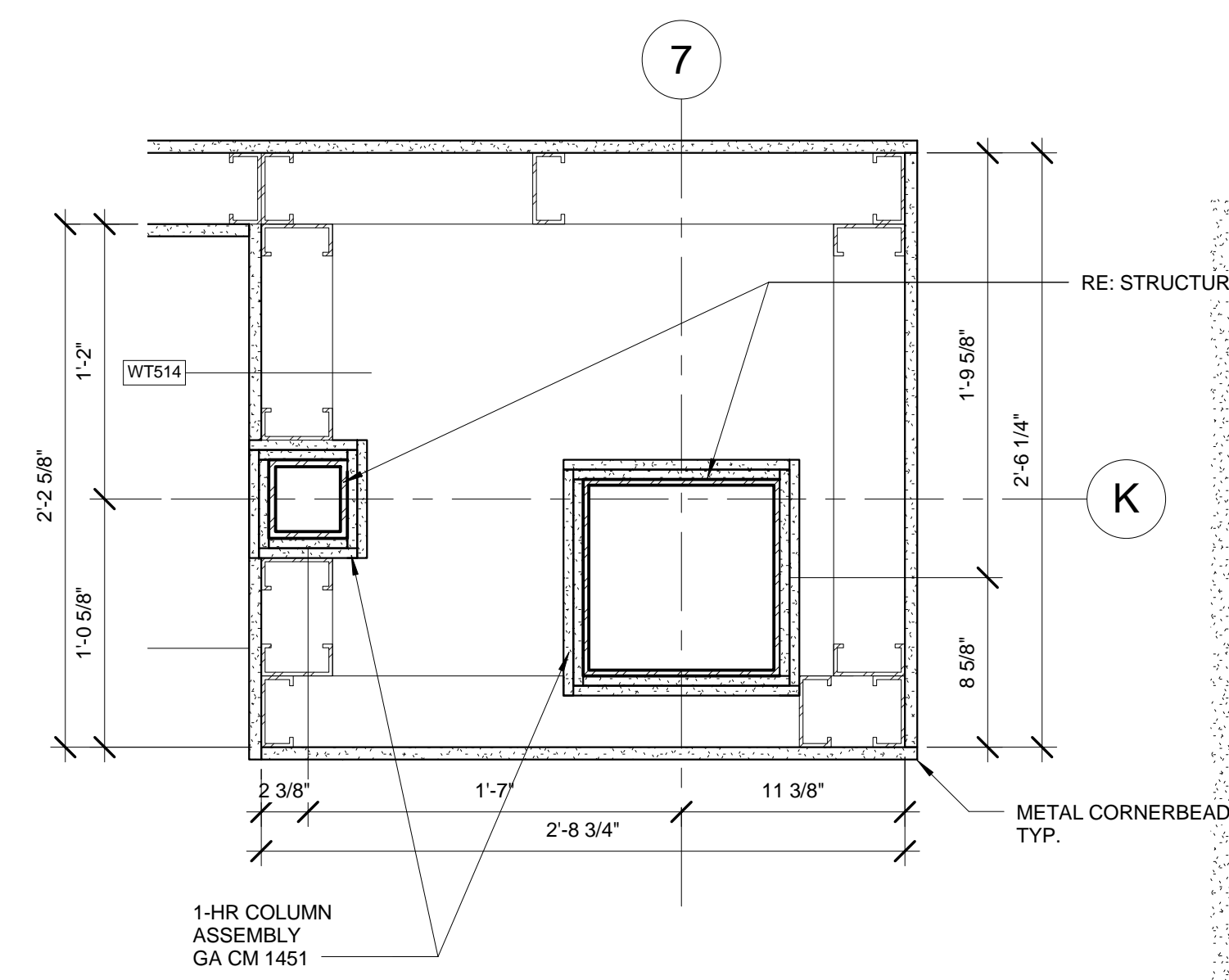
**8 COLUMN DETAIL 38**  
 SCALE: 1 1/2" = 1'-0"



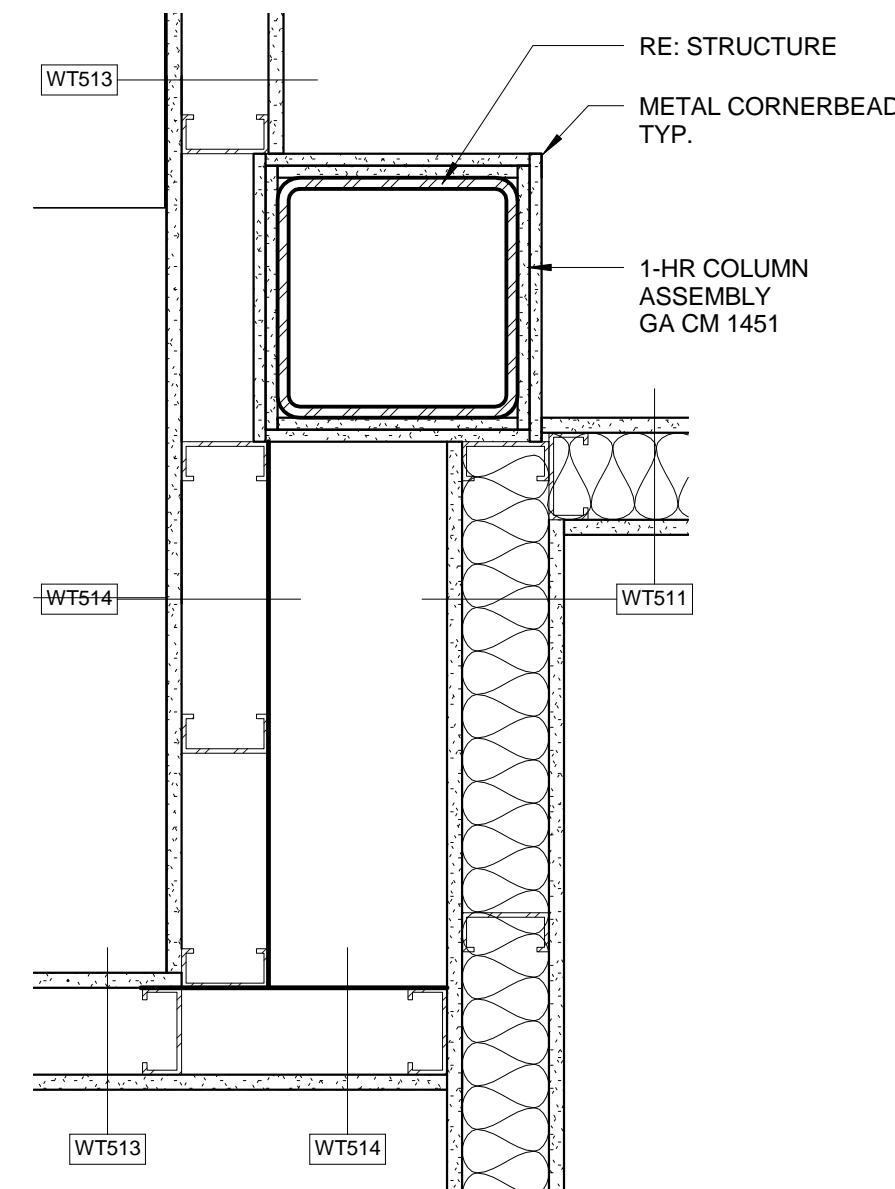
**7 COLUMN WRAP 37 (BATTER AT BOTTOM)**  
 SCALE: 1 1/2" = 1'-0"



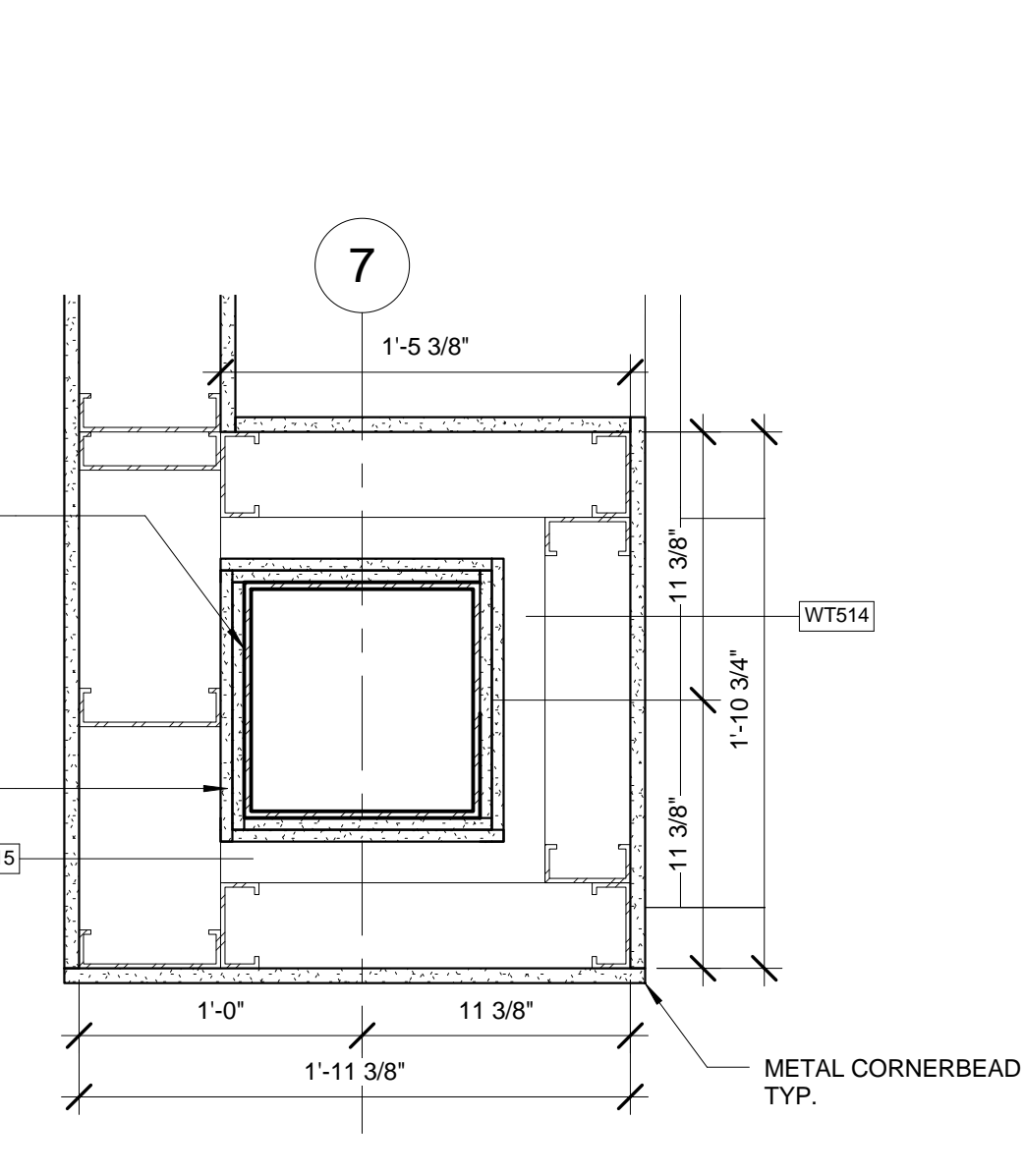
**6 COLUMN DETAIL 37**  
 SCALE: 1 1/2" = 1'-0"



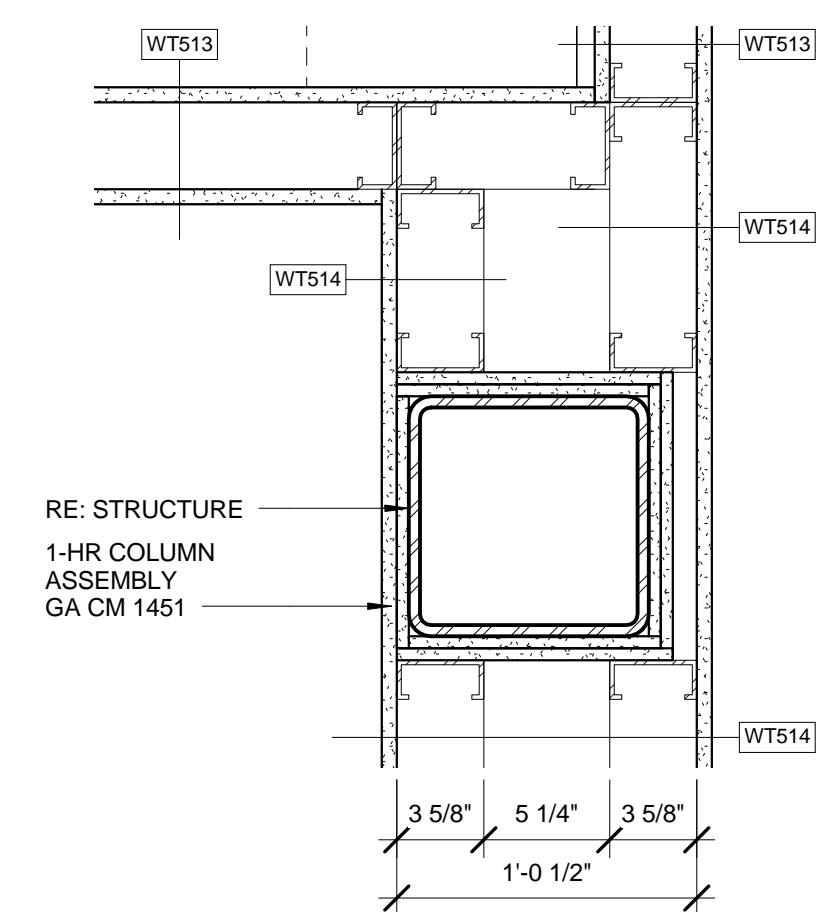
**13 COLUMN DETAIL 41**  
 SCALE: 1 1/2" = 1'-0"



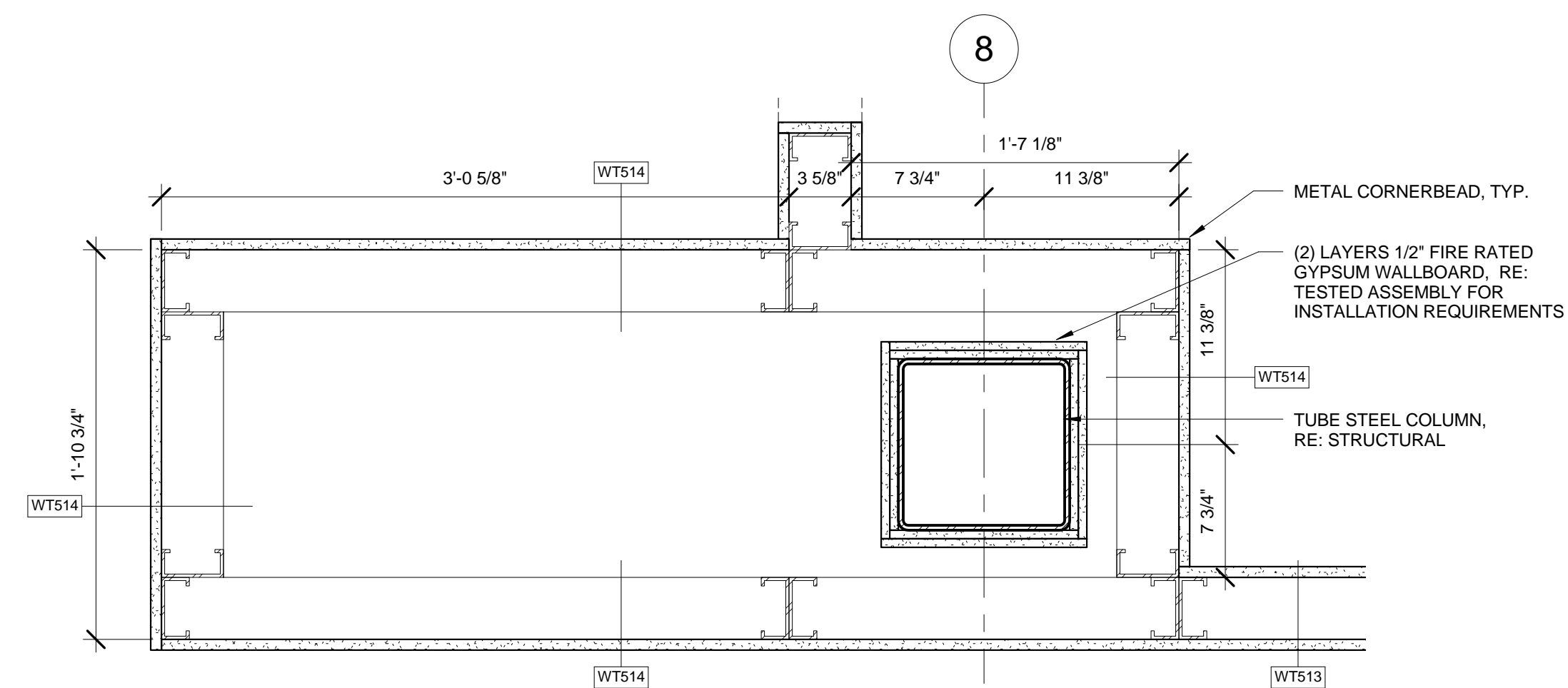
**11 COLUMN DETAIL 40**  
 SCALE: 1 1/2" = 1'-0"



**14 COLUMN DETAIL 42**  
 SCALE: 1 1/2" = 1'-0"



**12 COLUMN DETAIL 43**  
 SCALE: 1 1/2" = 1'-0"



**10 COLUMN DETAIL 39**  
 SCALE: 1 1/2" = 1'-0"

NOTICE: These documents are instruments of professional service and information contained therein is incomplete unless used in conjunction with Lantz-Boggio's interpretations, decisions, observations and administrations. Use or reproduction of these documents in whole or part without Lantz-Boggio's consent is in violation of common law, copyright, statutory and other reserved rights. Refer to Act 17 U.S.C., par. 511 (1991), which promulgates state and local public records act. Refer to Act 17 U.S.C., par. 301 (1991).