

No.	Date	Description
1	05/17/2013	Design Development
2	10/31/2013	Construction Documents

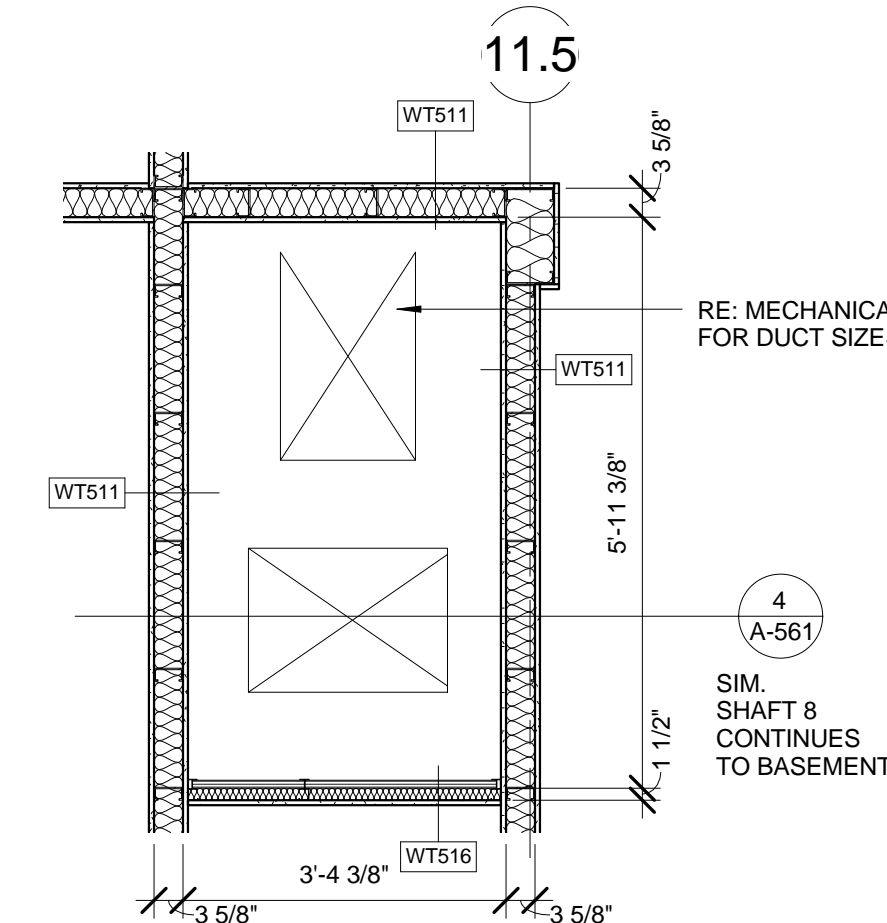
Seal:

Key Plan:

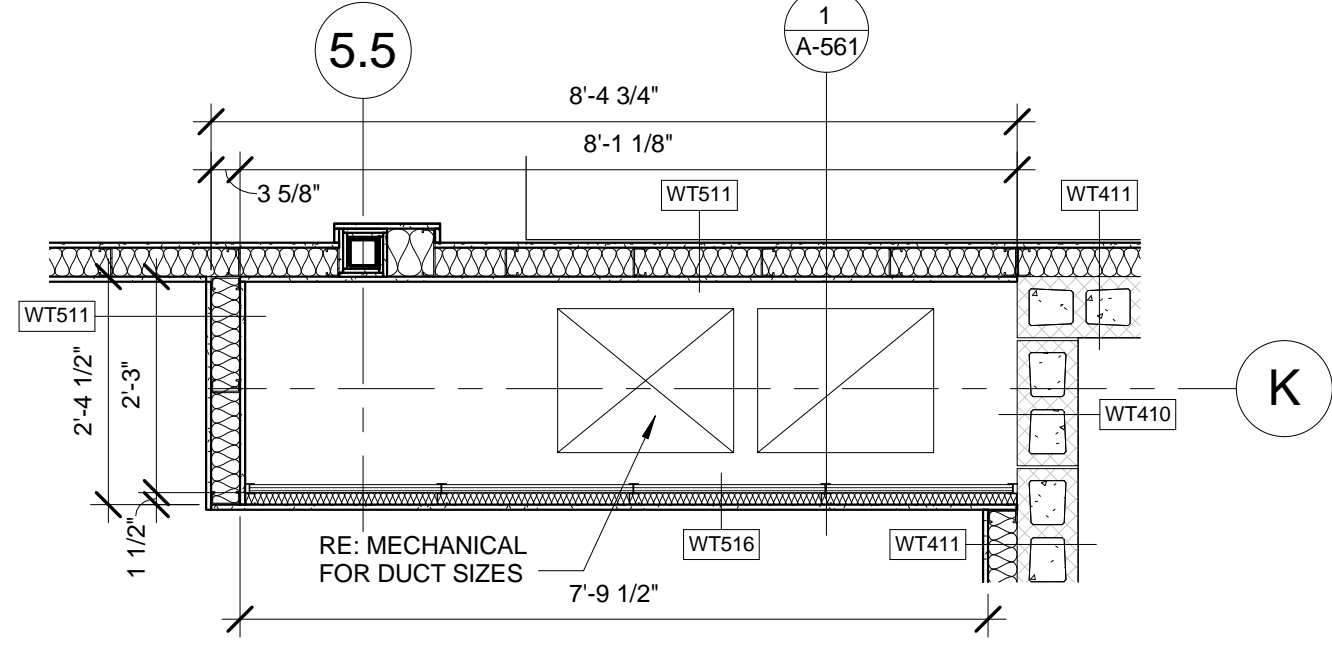
LBA Project Number: 2012.3000  
 Date: October 31, 2013

**SHAFT DETAILS**

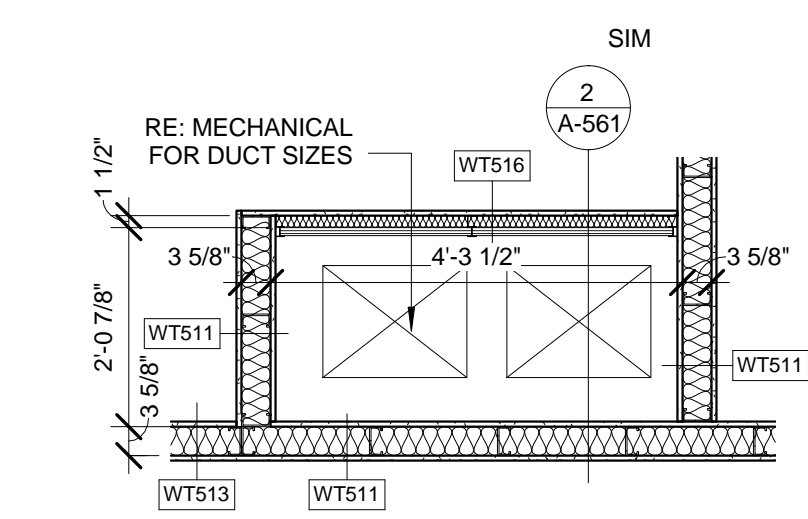
**A-560**



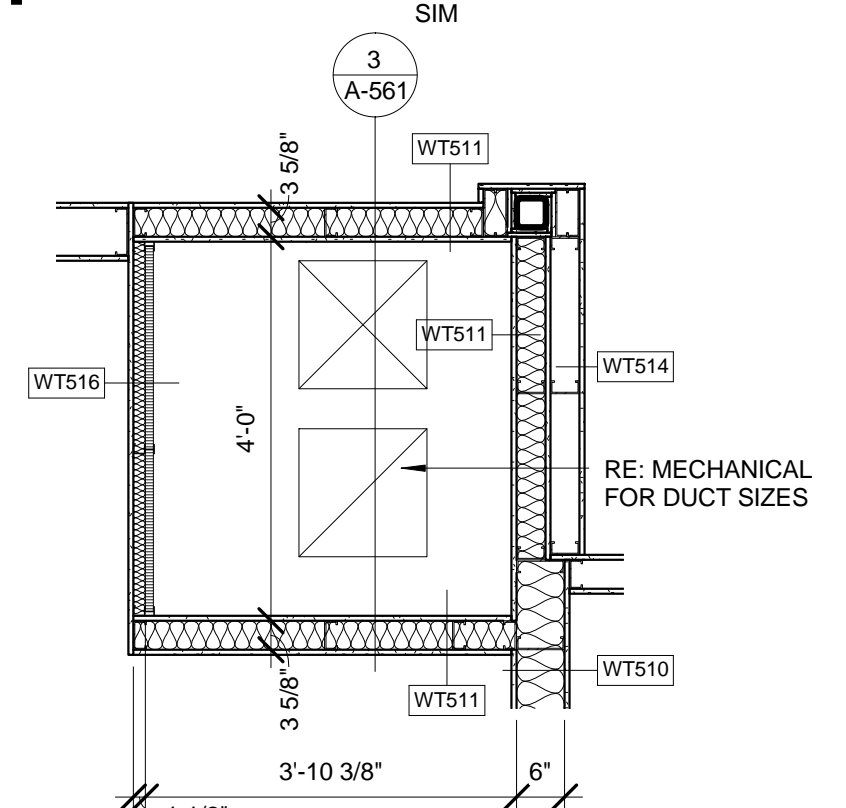
**6** SHAFT DETAIL @ C-8  
 SCALE: 1/2" = 1'-0"



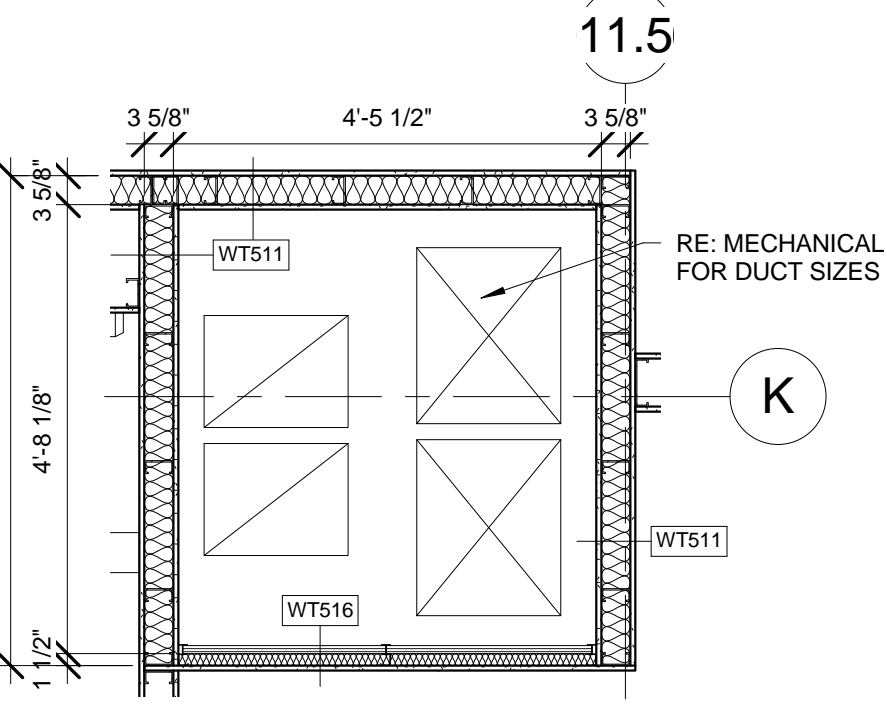
**5** SHAFT DETAIL @ C-12  
 SCALE: 1/2" = 1'-0"



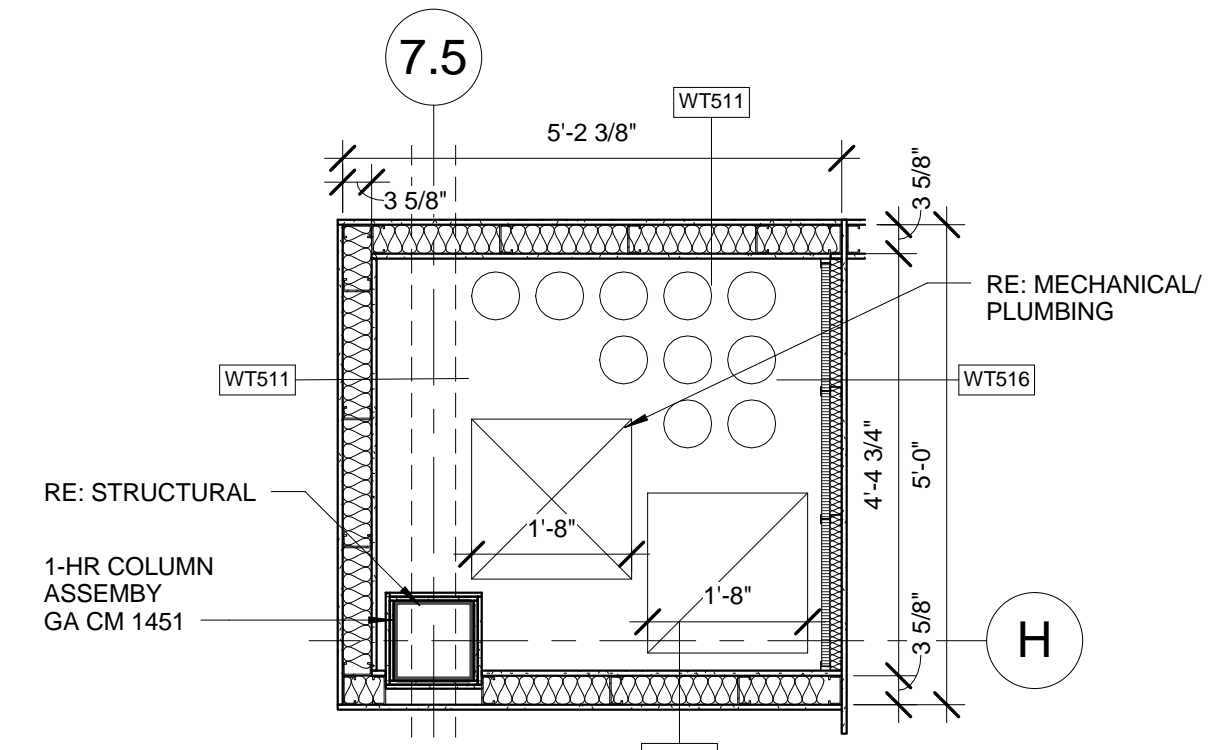
**4** SHAFT DETAIL @ C-11  
 (C-18 SIM)  
 SCALE: 1/2" = 1'-0"



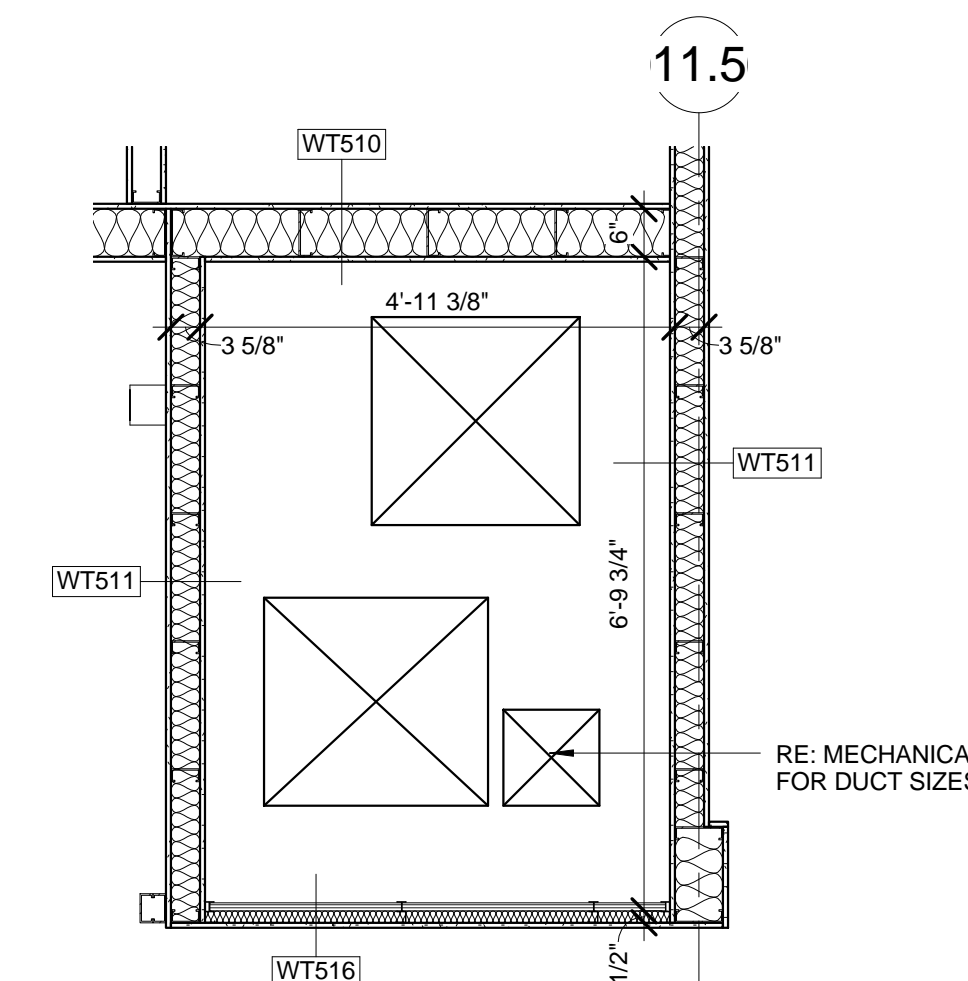
**3** SHAFT DETAIL @ C-19  
 (C-5, C-9, & C-15 SIM)  
 SCALE: 1/2" = 1'-0"



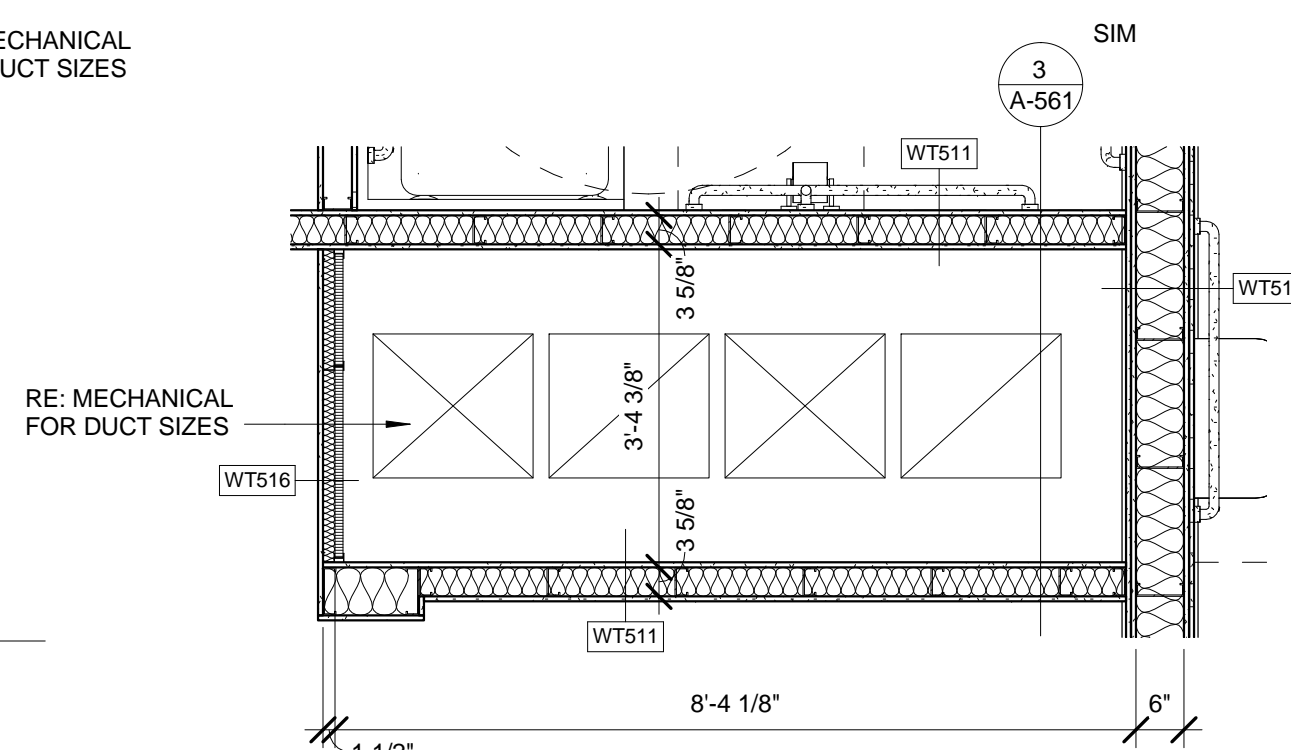
**2** SHAFT DETAIL @ C-3  
 SCALE: 1/2" = 1'-0"



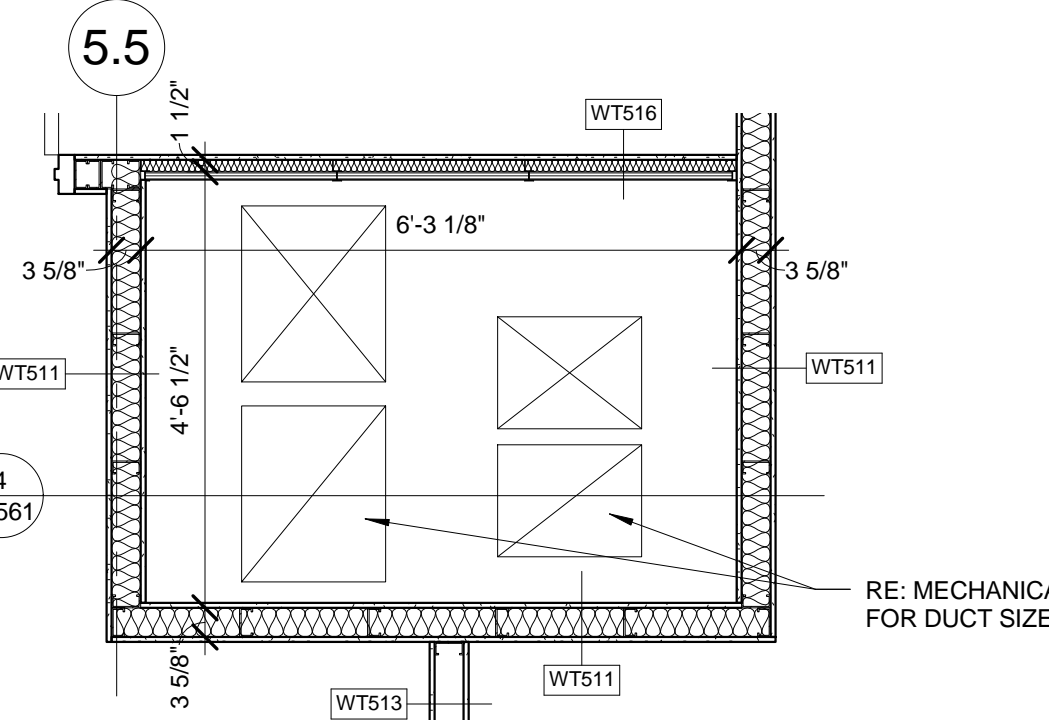
**10** SHAFT DETAIL @ C-1  
 SCALE: 1/2" = 1'-0"



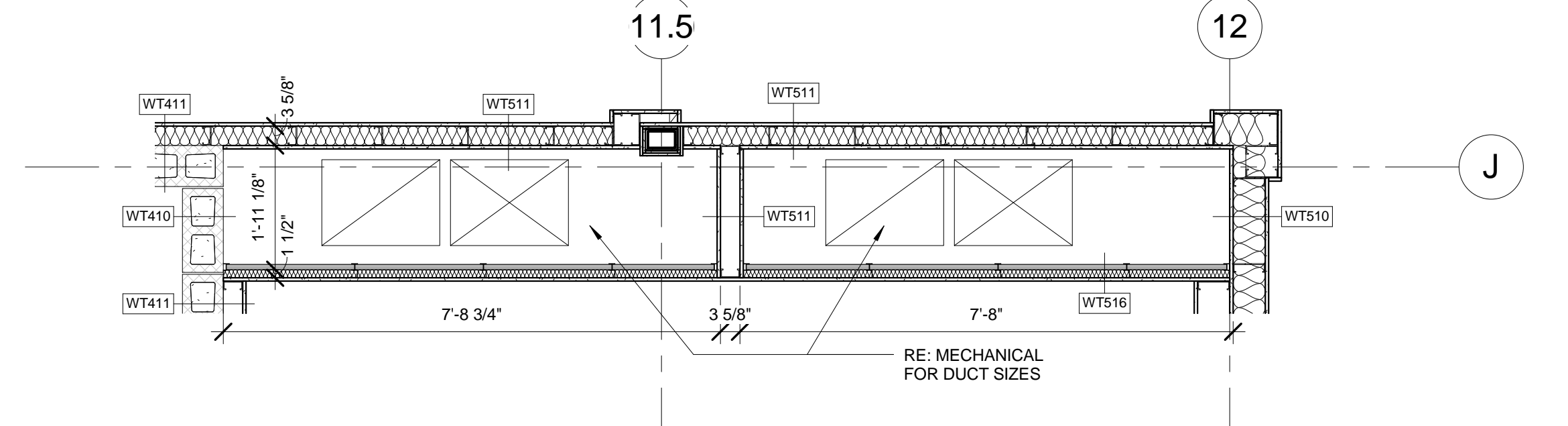
**9** SHAFT DETAIL @ C-7  
 SCALE: 1/2" = 1'-0"



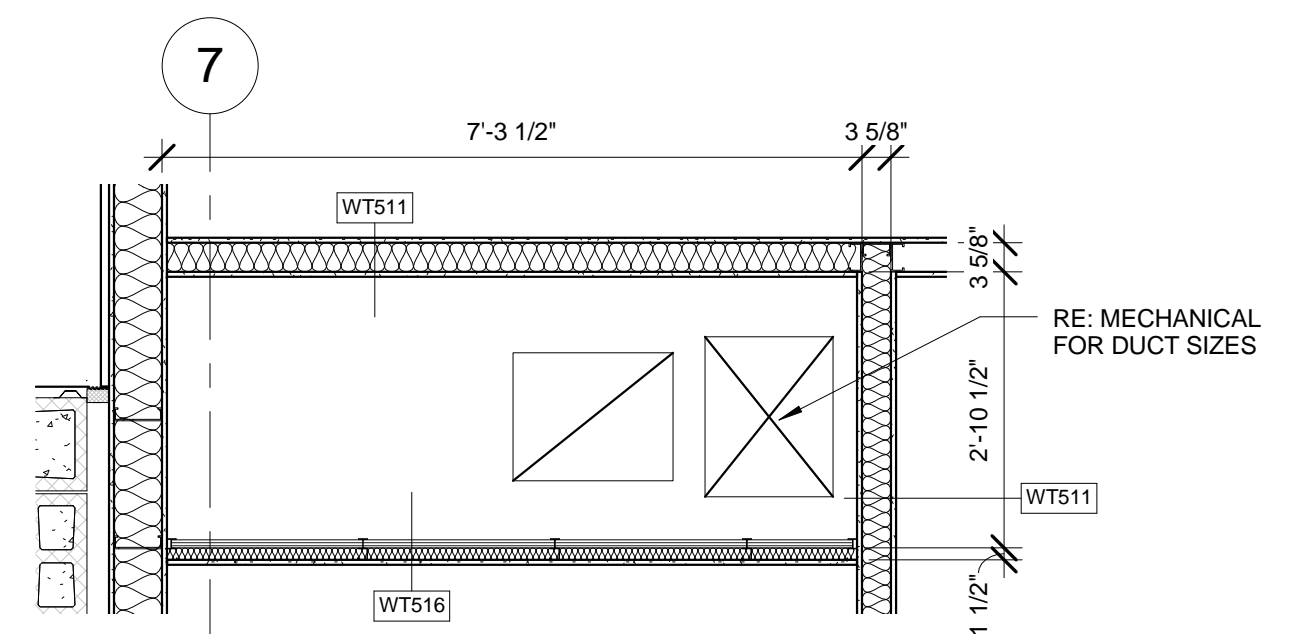
**8** SHAFT DETAIL @ C-20  
 (C-6, C-10 & C-16 SIM)  
 SCALE: 1/2" = 1'-0"



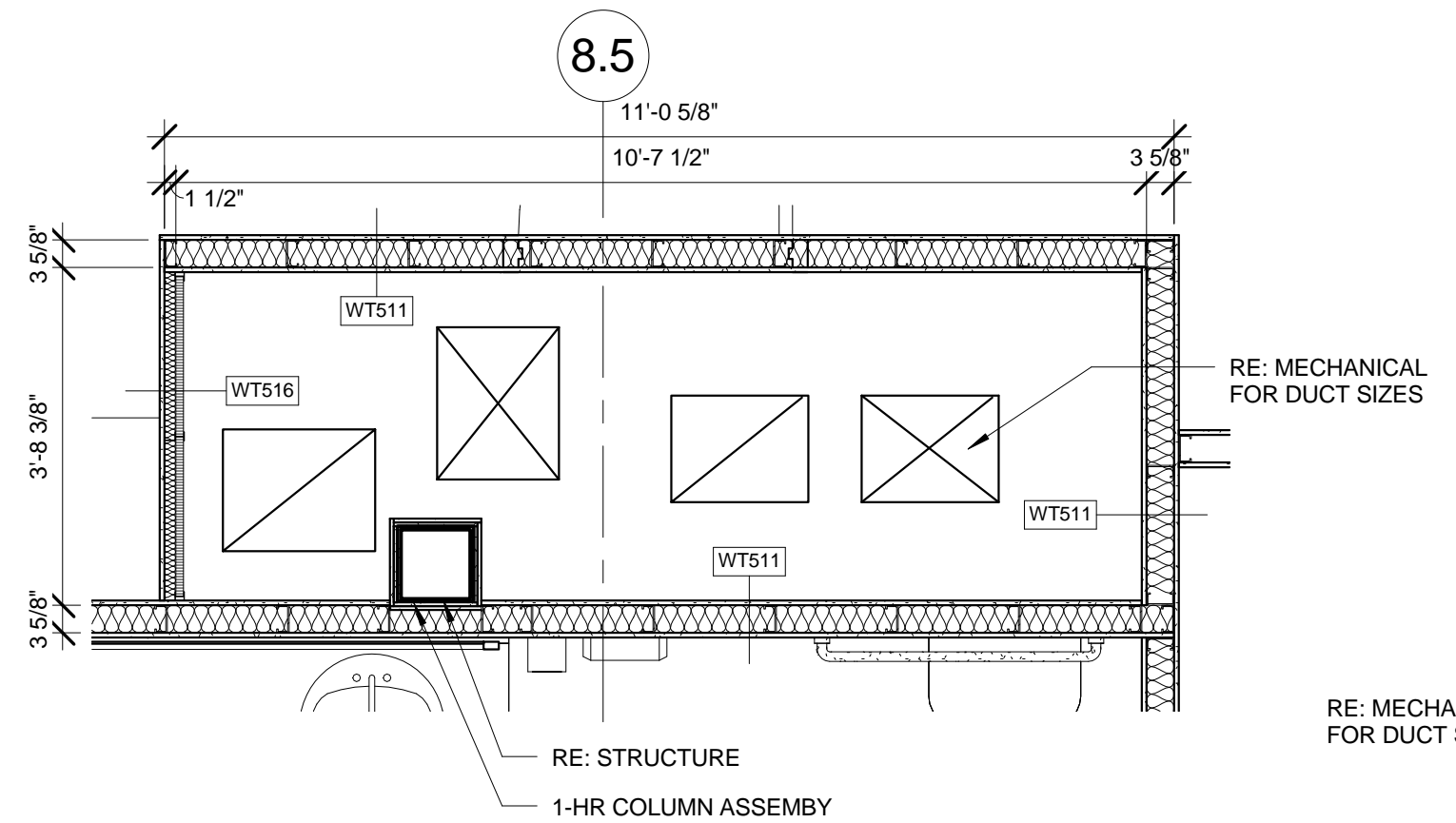
**7** SHAFT DETAIL @ C-13  
 SCALE: 1/2" = 1'-0"



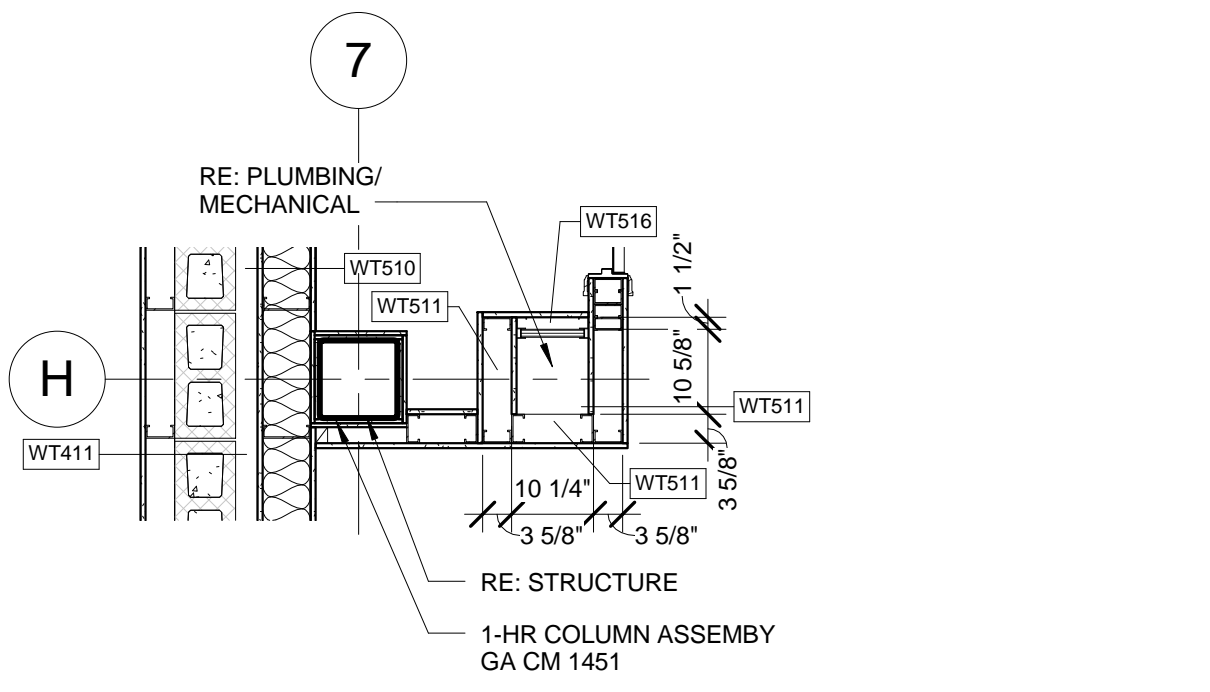
**1** SHAFT DETAIL @ C-2A & C-2B  
 SCALE: 1/2" = 1'-0"



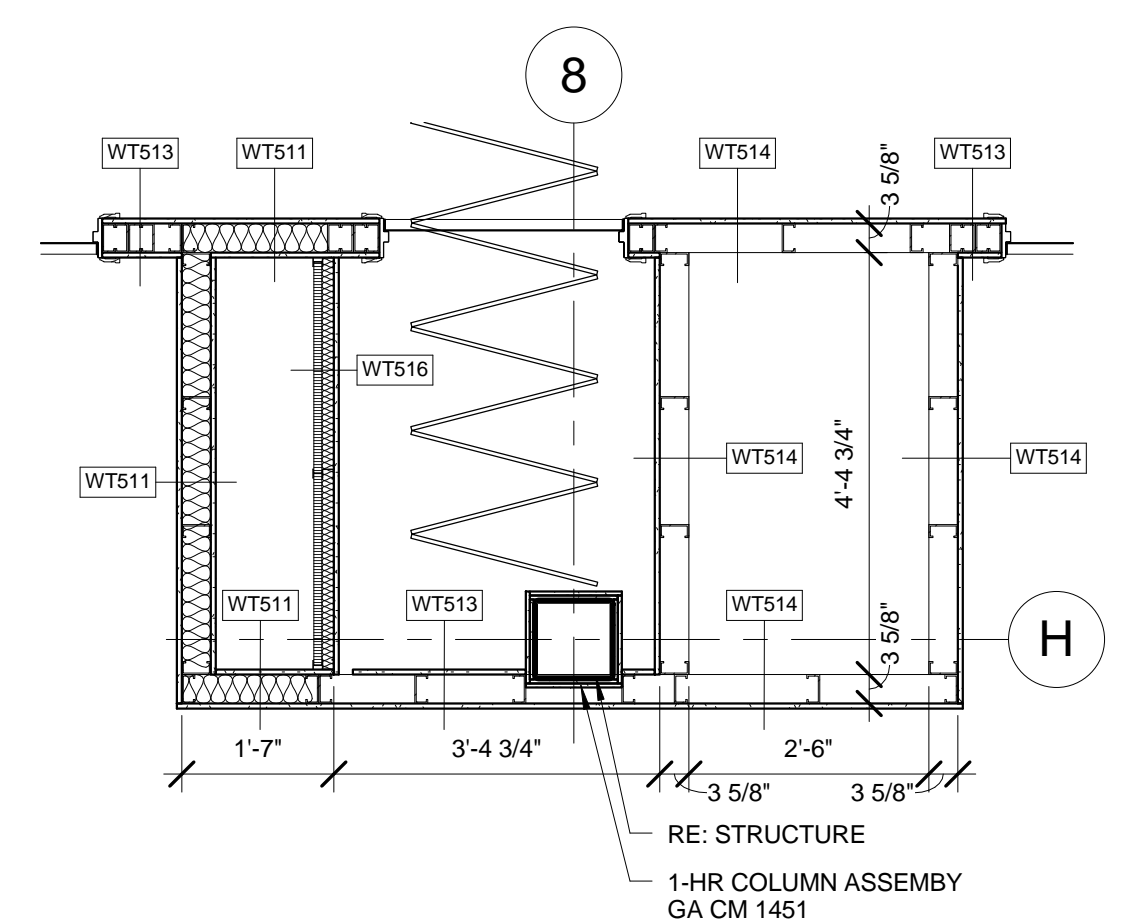
**14** SHAFT DETAIL C-21  
 SCALE: 1/2" = 1'-0"



**13** SHAFT DETAIL @ C-4  
 SCALE: 1/2" = 1'-0"



**12** SHAFT DETAIL @ H-7  
 SCALE: 1/2" = 1'-0"



**11** SHAFT DETAIL @ H-8  
 SCALE: 1/2" = 1'-0"

NOTICE: These documents are instruments of professional service and information contained therein is incomplete unless used in conjunction with Lantz-Boggio's interpretations, decisions, observations and administrative. Use or reproduction of these documents in whole or part without Lantz-Boggio's consent is in violation of common law, copyrights, statutory and other reserved rights. Refer to Act 17 U.S.C., par. 511 (1991), which preempts state and local public records act. Refer to Act 17 U.S.C., par. 301 (1991).