

PIONEER MANOR
 Gillette/Wyoming
 2012.3000

Owner:
 Campbell County Memorial Hospital
 501 South Burns Ave.
 Gillette, WY 82716
 P.O. Box 3011
 Gillette, WY 82717
 Ph. 307.688.1000

Civil Engineer:
 PCA Engineering, Inc.
 P.O. Box 2185
 4506 Wigwam Blvd.
 Gillette, WY 82718
 Ph. 307.687.0600
 Contact: Clark Sanders

Structural Engineer:
 Jirsa Hedrick & Associates
 7000 E. Bellevue Ave. Suite 250
 Greenwood Village, CO 80111
 Ph. 303.839.1963
 Contact: Steve Jirsa

Mechanical/Plumbing Engineer:
 Given & Associates, Inc.
 735 S. Xenon Court, Suite 201
 Lakewood, CO 80228
 Ph. 303.716.1270
 Contact: Jeff Given

Electrical Engineer:
 Alber Engineering
 5173 Oak Hollow Drive
 Morrison, CO 80465
 Ph. 303.736.2739
 Contact: Jerry Alber

Interior Design:
 LBA Interiors
 5650 DTC Parkway, Suite 100
 Englewood, CO 80111
 Ph. 303.773.0436
 Contact: Mary Lou Parham

Food Service:
 United Restaurant Supply, Inc.
 725 Clark Place
 Colorado Springs, CO 80915
 Ph. 719.574.3220
 Contact: Jon Bluhm

Landscape Architect:
 Four Front Design, Inc.
 517 7th Street
 Rapid City, SD 57701
 Ph. 605.342.9470
 Contact: Eirik Heikes

- GENERAL NOTES:**
- ALL DIMENSIONS INDICATED ARE MEASURED FROM FACE OF FINISH UNLESS OTHERWISE NOTED.
 - TOLERANCES FOR BUILT-IN ITEMS, INCLUDING CASEWORK, MILLWORK, APPLIANCES, ETC., MUST BE FIELD COORDINATED TO ENSURE ADEQUATE FIT AND PROPER CLEARANCES.
 - FLOOR FINISH, WALL FINISH AND WALL BASE ARE TO BE INSTALLED BENEATH AND BEHIND ALL BASE CABINETS INDICATED TO BE REMOVABLE.
 - PROVIDE FINISHED END PANELS MATCHING THE CABINET FACE AT ALL EXPOSED CABINET SIDES.
 - ALL EXPOSED EDGES AT COUNTER TOPS ARE TO BE POST FORMED AT UNLESS NOTED OTHERWISE.
 - PROVIDE WOOD BLOCKING OR METAL STRAP WITHIN THE WALL CAVITY, AS REQUIRED FOR THE INSTALLATION OF TOILET ACCESSORIES, GRAB BARS, HANDRAILS, LEAN RAILS, CABINETS, WINDOW TREATMENTS, DOOR FRAMES, ETC...
 - REFER TO THE TYPICAL MOUNTING HEIGHTS DIAGRAM ON SHEET A-807 FOR MOUNTING HEIGHTS OF ACCESSORIES AND DEVICES.
 - REFER TO THE ROOM FINISH SCHEDULE AND INTERIOR DESIGN DRAWING FOR ALL FINISHES THROUGHOUT THE BUILDING.
 - REFER TO SHEET A-850 FOR MOLDING PROFILES.
 - REFER TO THE ELECTRICAL DRAWINGS FOR LIGHT FIXTURE TYPES AND MOUNTING REQUIREMENTS.
 - COUNTERTOPS THAT ARE INDICATED TO BE AT 34" MEASURED FROM THE FINISHED FLOOR TO THE TOP OF THE SINK RIM OR LESS THAN 34" TO THE TOP OF THE COUNTERTOP MAY REQUIRE CUSTOM CABINETRY TO COMPLY WITH ACCESSIBILITY GUIDELINES, UNLESS CONTRACTOR CAN DEMONSTRATE AND ALTERNATE METHOD OF COMPLIANCE.
 - VALVES, DISCONNECTS, SWITCHES, DRAINS, ETC., REQUIRED AS PART OF THE HOT FOOD WELL INSTALLATION ARE TO BE LOCATED NEAR THE FRONT OF THE INTERIOR OF THE CABINET TO ALLOW EASY ACCESS.
 - ALL OPERABLE CABINET DOORS AND DRAWERS (WHETHER SHOWN OR NOT) ARE TO RECEIVE A PULL PER SPECIFICATIONS.
 - PROVIDE (2) 2" GROMMET FOR EACH KNEE SPACE AT DESK COUNTERTOPS, LOCATION TO BE DETERMINED.

- INTERIOR ELEVATION KEY NOTES:**
- LIGHT FIXTURE, RE: ELECTRICAL
 - WALL BASE, RE: INT. FINISH PLANS
 - REFRIGERATOR, RE: SPECIFICATIONS
 - WASHER, RE: SPECIFICATIONS
 - DRYER, RE: SPECIFICATIONS
 - WALL OVEN, RE: SPECIFICATIONS
 - DISHWASHER, RE: SPECIFICATIONS
 - WALL MICROWAVE, RE: SPECIFICATIONS
 - DOOR, RE: DOOR SCHEDULE
 - PRE-MANUFACTURED CABINETRY, RE: SPECIFICATIONS FOR DOOR STYLE, FINISH, ETC.
 - PLASTIC LAMINATE COUNTER TOP, RE: INT. FINISH SPECIFICATIONS
 - GRANITE/QUARTZ COUNTER TOP, RE: INT. FINISH SPECIFICATIONS
 - SHOWER, RE: SPECIFICATIONS
 - INTERIOR WALL TILE, RE: INT. FINISH SPECIFICATIONS
 - CEILING, RE: REFLECTED CEILING PLANS
 - WOOD BLOCKING OR METAL STRAP AT CONTRACTORS OPTION FOR FUTURE BAR INSTALLATION
 - SHOWER CURTAIN ROD
 - FINISHED END PANEL TO MATCH CASEWORK, TYP.
 - GLASS PANELS
 - CLOSET ROD & SHELF
 - FIREPLACE, RE: SPECIFICATIONS
 - CHAIRRAIL, RE: 17A-850 FOR MOLDING PROFILES
 - HANDRAIL, RE: 17A-850 FOR MOLDING PROFILES
 - HAND HELD SHOWER HEAD AND SHOWER CONTROL
 - TALL CABINET
 - FOLD UP SHOWER SEAT
 - BATHTUB, RE: SPECIFICATIONS
 - GYP. BD. LIGHT COVE
 - HOOD, RE: SPECIFICATIONS
 - GLASS FRONT CABINETS
 - HARDWOOD VENEER FINISHED BACK PANEL TO MATCH CASEWORK, TYP.
 - LOCKERS, RE: SPECIFICATIONS
 - TV BY OWNER, GC TO PROVIDE BLOCKING AS NECESSARY FOR TV MOUNTING
 - STONE SLAB SURROUND, RE: INT. SPECIFICATIONS
 - PLUMBING FIXTURE, RE: SPECIFICATIONS
 - WOOD VENEER
 - PTD. GYP. BD.
 - GLASS PANEL W/ WOOD TRIM, RE: INT. WINDOW ELEVS.
 - PLASTIC LAMINATE, RE: INT. FINISH SPECIFICATIONS
 - QUARTZ VENEER
 - LOCK AT CABINETS/DRAWERS, ALL LOCKS TO BE KEYPED ALIKE
 - COMMERCIAL KITCHEN EQUIP., RE: FOOD SERVICE DWGS
 - CROWN MOLDING
 - FILLER AS NECESSARY
 - SOFFIT @ CABINETS TO FOLLOW LINE OF CROWN @ WALL CABINETS
 - 26" DEEP CABINET OVER WALL OVEN/MICROWAVE APPLIANCE COMBO. CABINET TO HAVE FINISHED SIDE & FRONT PANELS & TRIM AS NEC. BY CABINET MANUFACTURER.
 - CUSTOM SHELVING, RE: INT. DRAWINGS
 - OPEN TO BEYOND
 - REMOVABLE ADA APRON
 - COUNTERTOP BEYOND
 - SHELF SUPPORTS, TILE ALL SIDES
 - 1 1/2" APRON FOR UNDER CABINET LIGHTING
 - KERF CUT
 - CUSTOM STAINED WOOD SHELVES
 - 2X2 STEEL SUPPORT BRACKET
 - MEDICATION DISPENSER, BY OWNER
 - MIRROR, RE: INT. SPECIFICATIONS
 - RANGE, RE: SPECIFICATIONS
 - GLASS SHELVES
 - 3 SIDED HALF INCH PATTERNED ACRYLIC BOX ROTATES INSIDE CABINETRY. CYLINDER LOCK IN COUNTERTOP WHEN BOX ROTATES CLOSED
 - SIGNAGE, RE: SPECIFICATIONS
 - GLASS PANEL
 - FULL HEIGHT WOOD POST
 - 1 - 1 1/2" THICK P LAM COUNTERTOP SUPPORTS & BLOCKING IN WALL AS NEC. BY G.C
 - 2 1/2" TILE BULLNOSE
 - 6" TILE WALL BASE
 - BACKSPLASH RE: INT. FINISH SPECIFICATIONS
 - SWING GATE HEAVY DUTY W/ COUNTER SUNK HINGES
 - GRANITE TOP CAP AT LOW WALLS & GATE
 - 2" RECESSED NICHE FOR WALL MOUNTED TV FLUSH W/ WALL
 - METAL REVEAL IN GYP. BD.
 - SALON EQUIP, RE: SPECIFICATIONS
 - HORIZONTAL HANDRAIL/BACKETTE IN FRONT OF FULL HEIGHT WINDOW GLASS PER SPECIFICATION. SECURE PER SPECIFICATION.
 - FLAT STOCK, RE: MOLDING PROFILE ON 17A-850
 - CUSTOM WOOD CABINETRY WITH LOCKABLE ROTATING ACRYLIC BOX FOR LIQUOR STORAGE
 - DECORATIVE ACRYLIC PANEL
 - HEAVY DUTY TURNABLE BEARING, COMMERCIAL GRADE STEEL

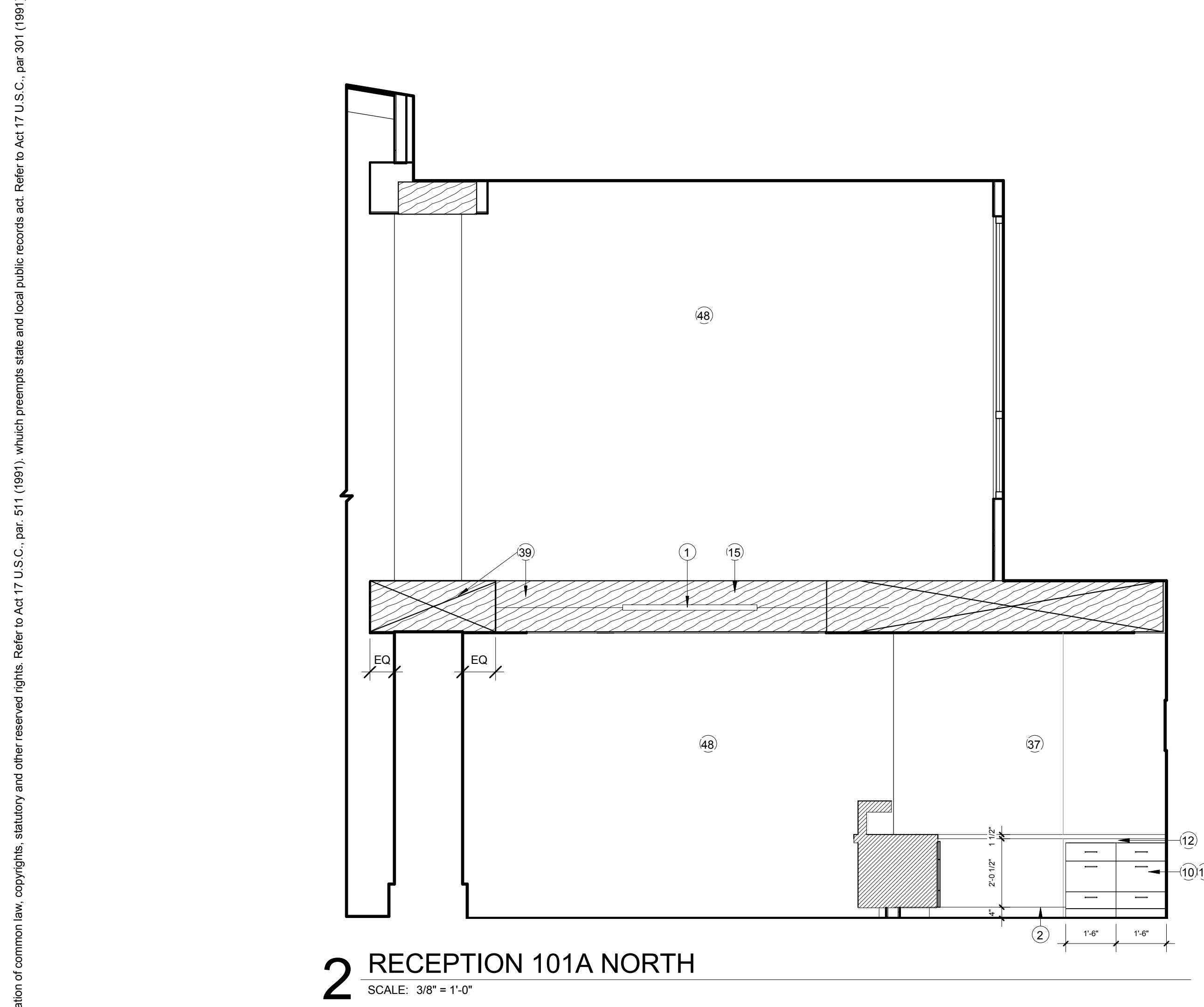
No.	Date	Description
1	12/05/2013	Addendum 2



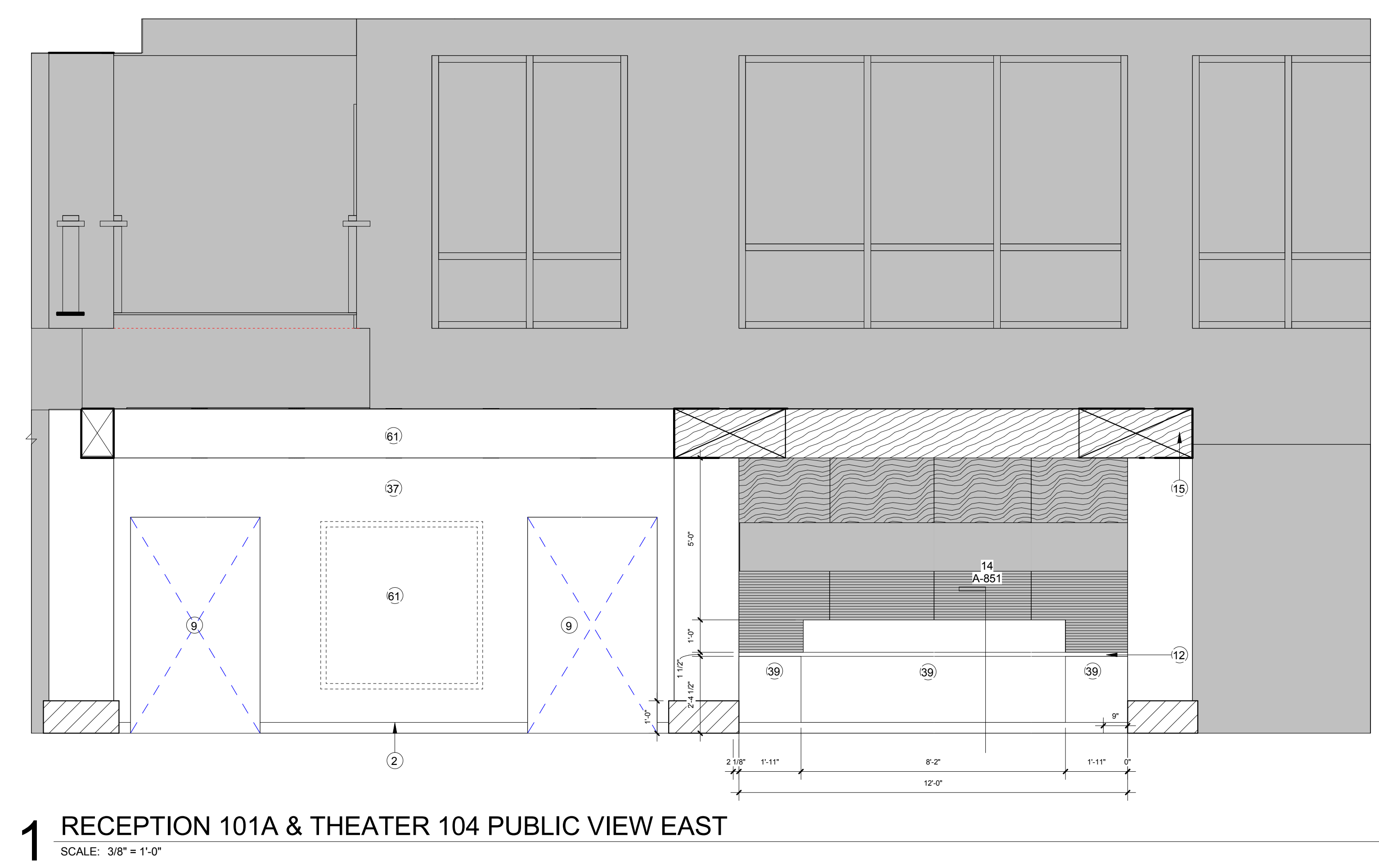
Key Plan:

LBA Project Number: 2012.3000
 Date: October 31, 2013

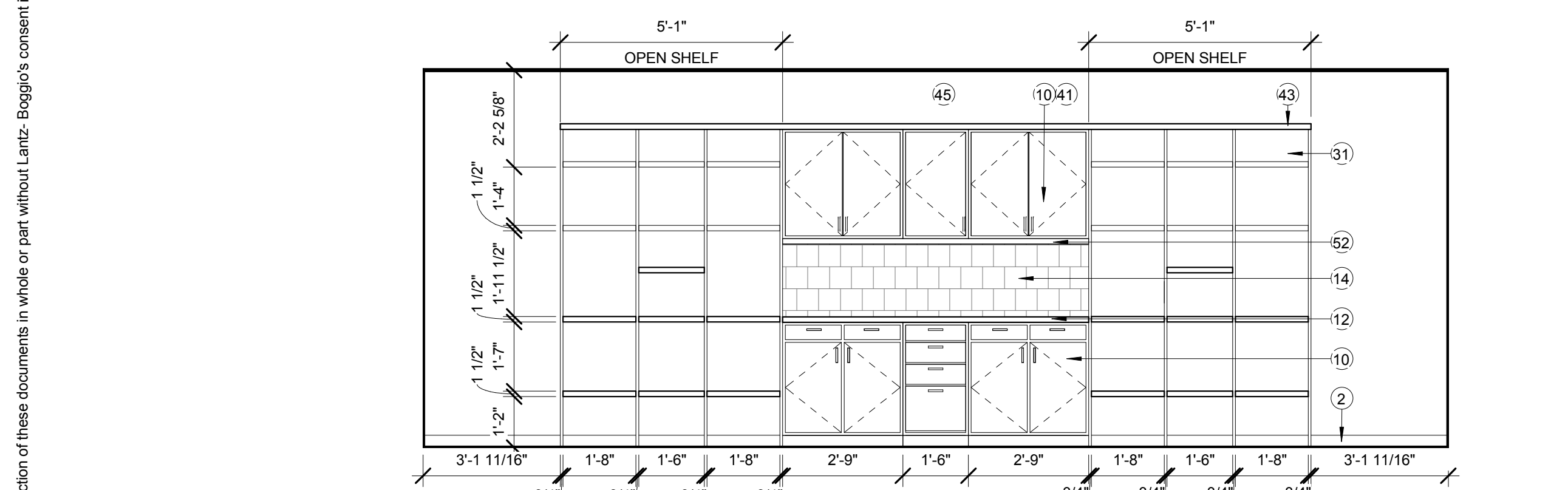
INTERIOR ELEVATIONS



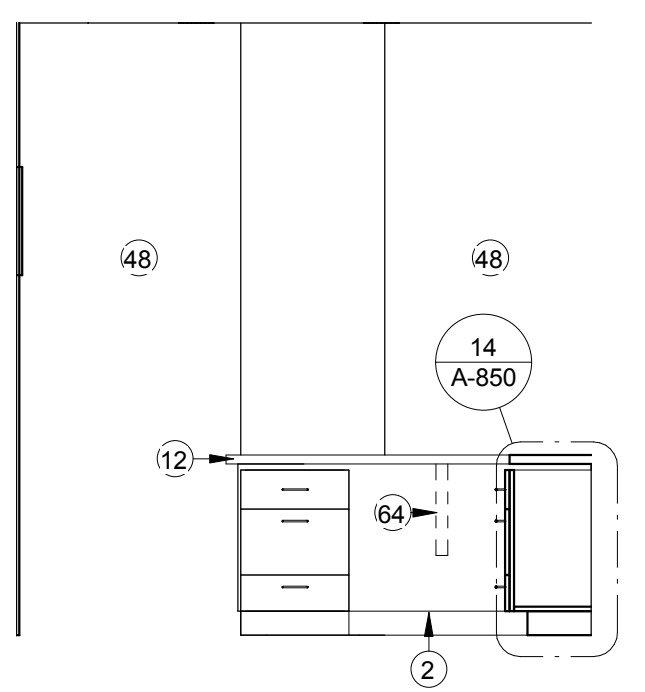
2 RECEPTION 101A NORTH
 SCALE: 3/8" = 1'-0"



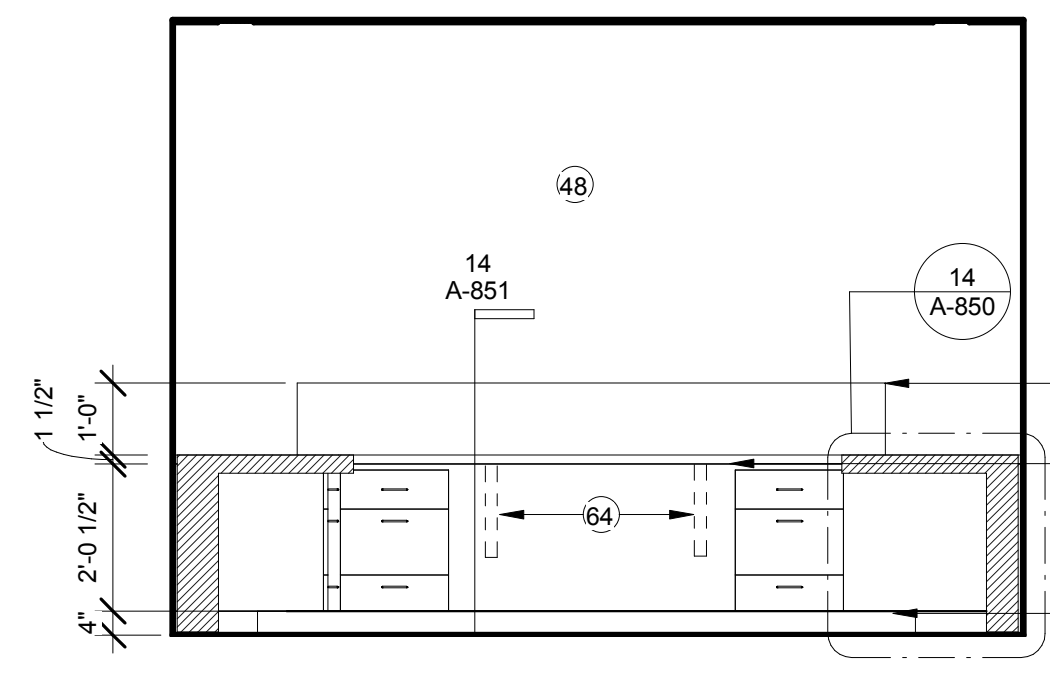
1 RECEPTION 101A & THEATER 104 PUBLIC VIEW EAST
 SCALE: 3/8" = 1'-0"



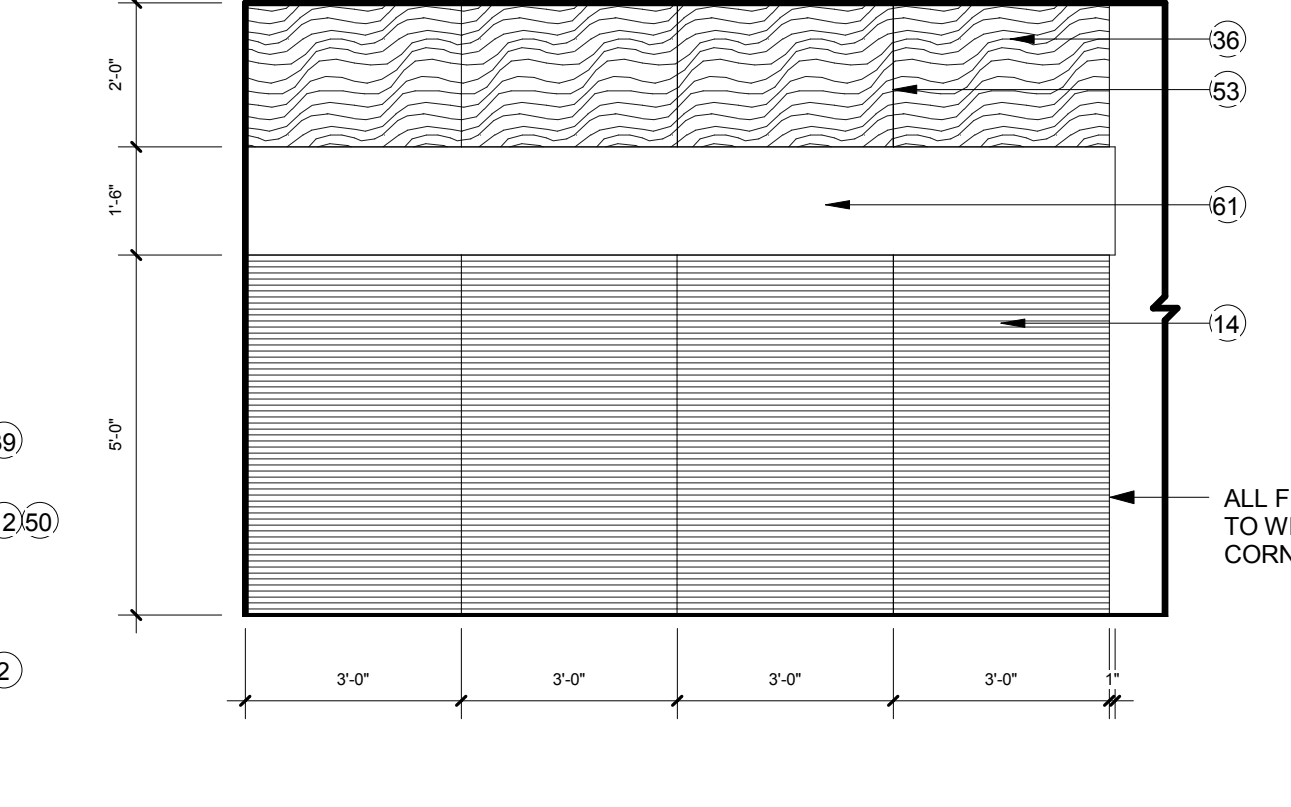
13 GAME ROOM 210 WEST
 SCALE: 3/8" = 1'-0"



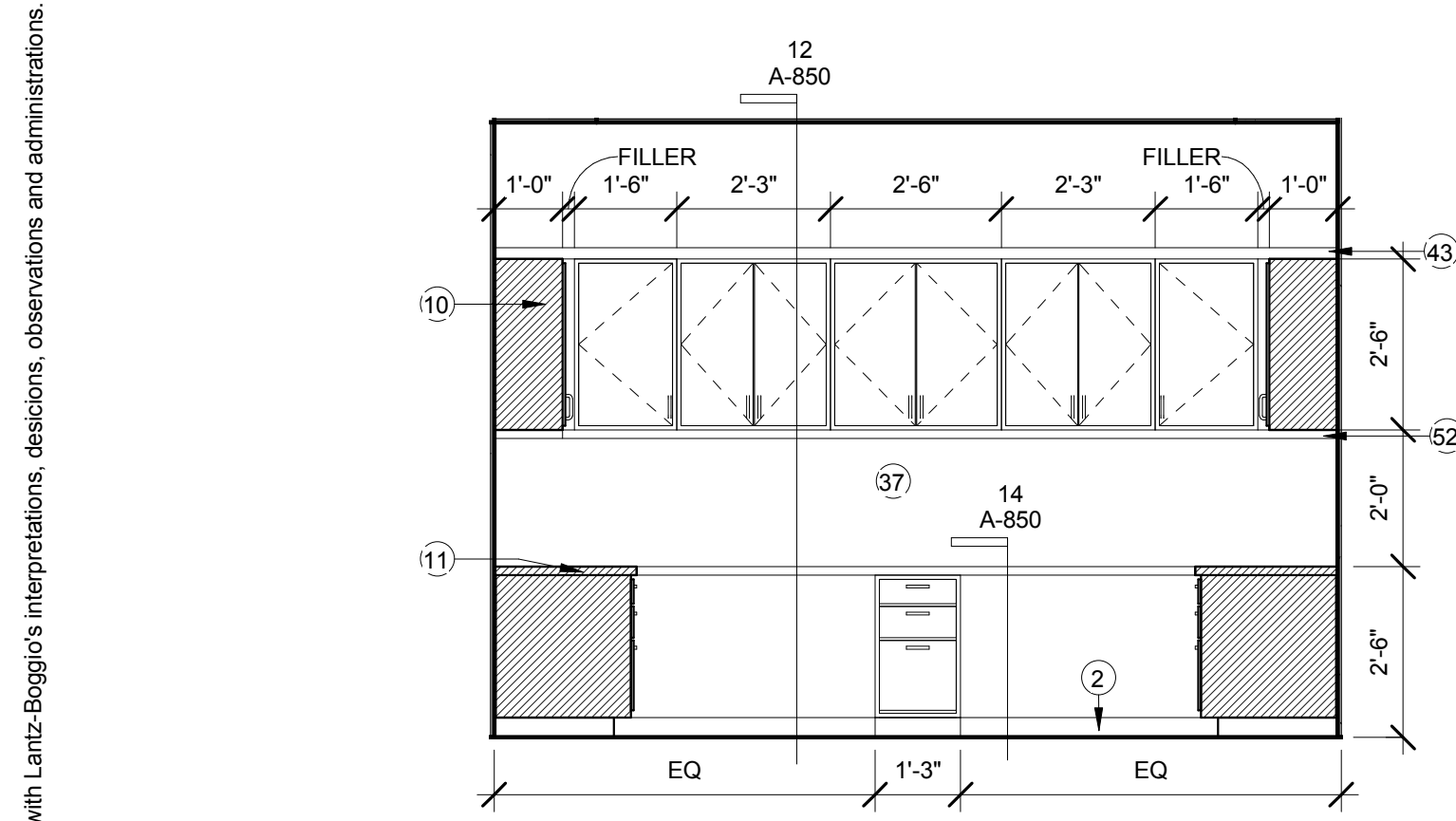
5 RECEPTION 101A DESK SOUTH
 SCALE: 3/8" = 1'-0"



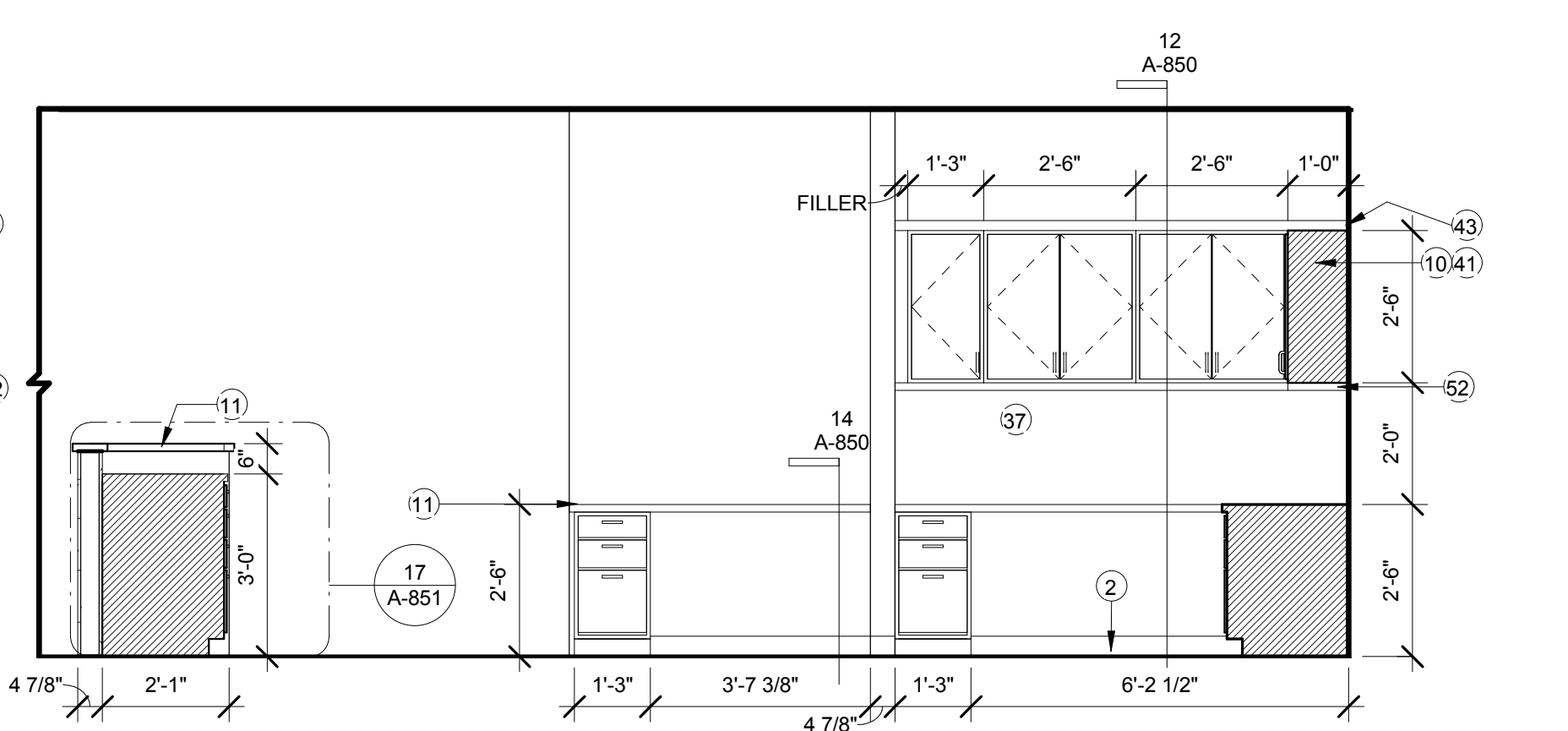
4 RECEPTION 101A INTERIOR WEST
 SCALE: 3/8" = 1'-0"



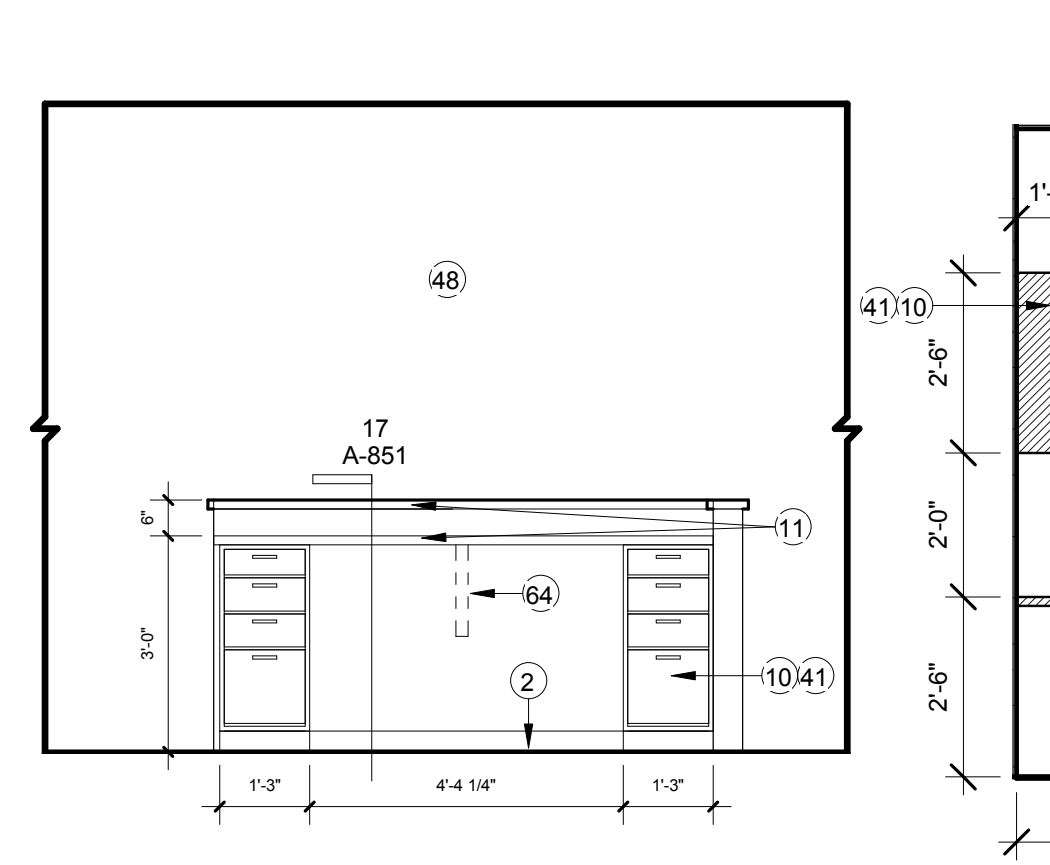
3 RECEPTION 101A INTERIOR EAST
 SCALE: 3/8" = 1'-0"



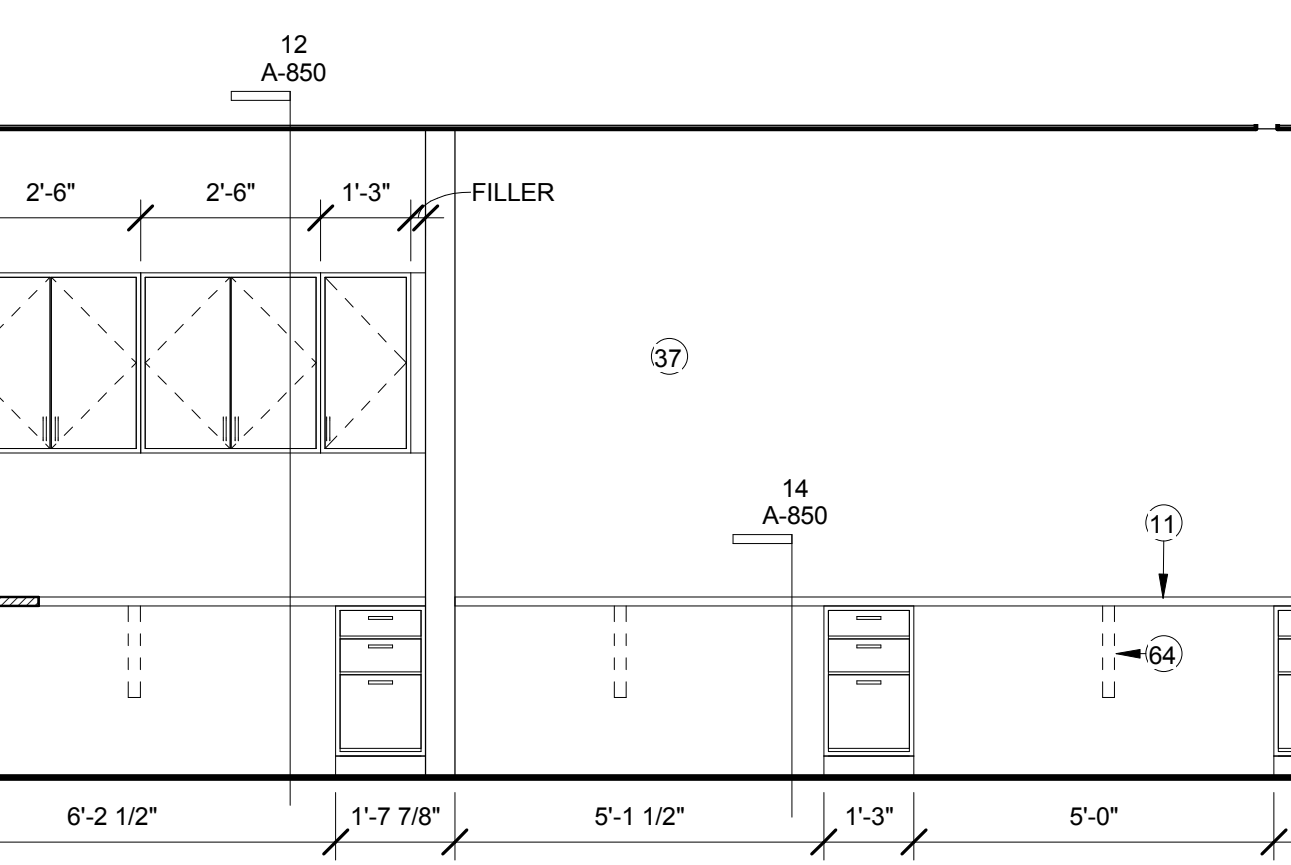
9 THERAPIST WORKSPACE 202A NORTH
 SCALE: 3/8" = 1'-0"



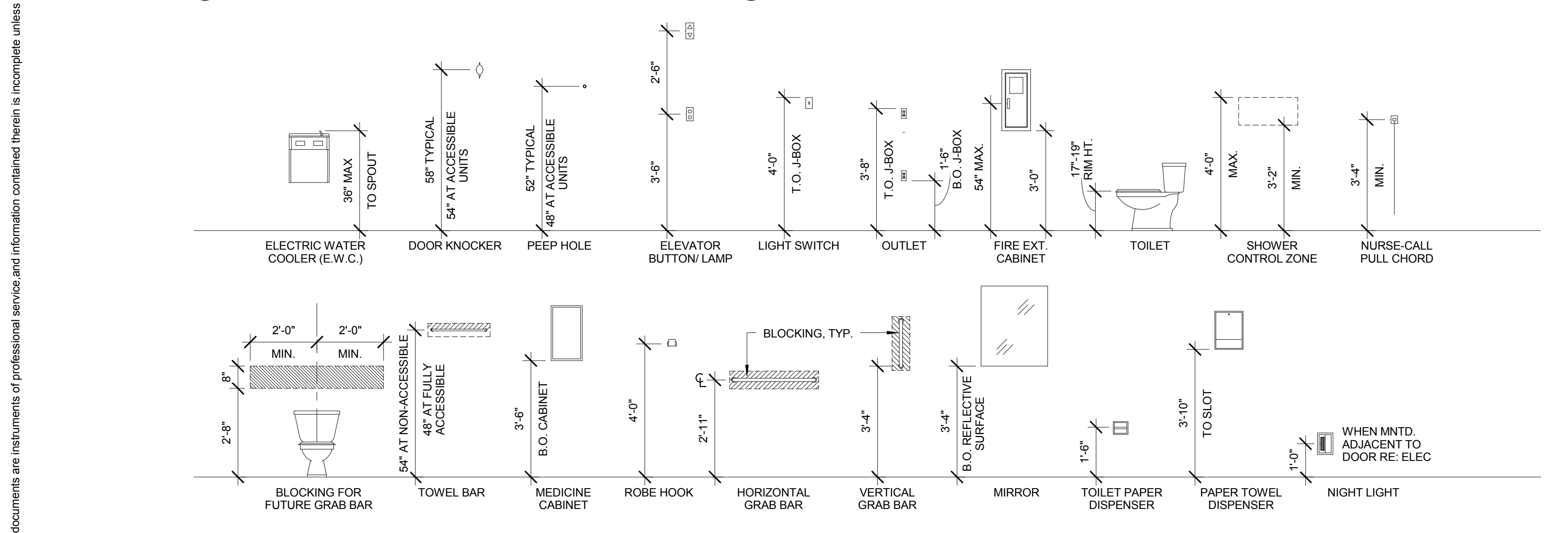
8 THERAPIST WORKSPACE 202A WEST
 SCALE: 3/8" = 1'-0"



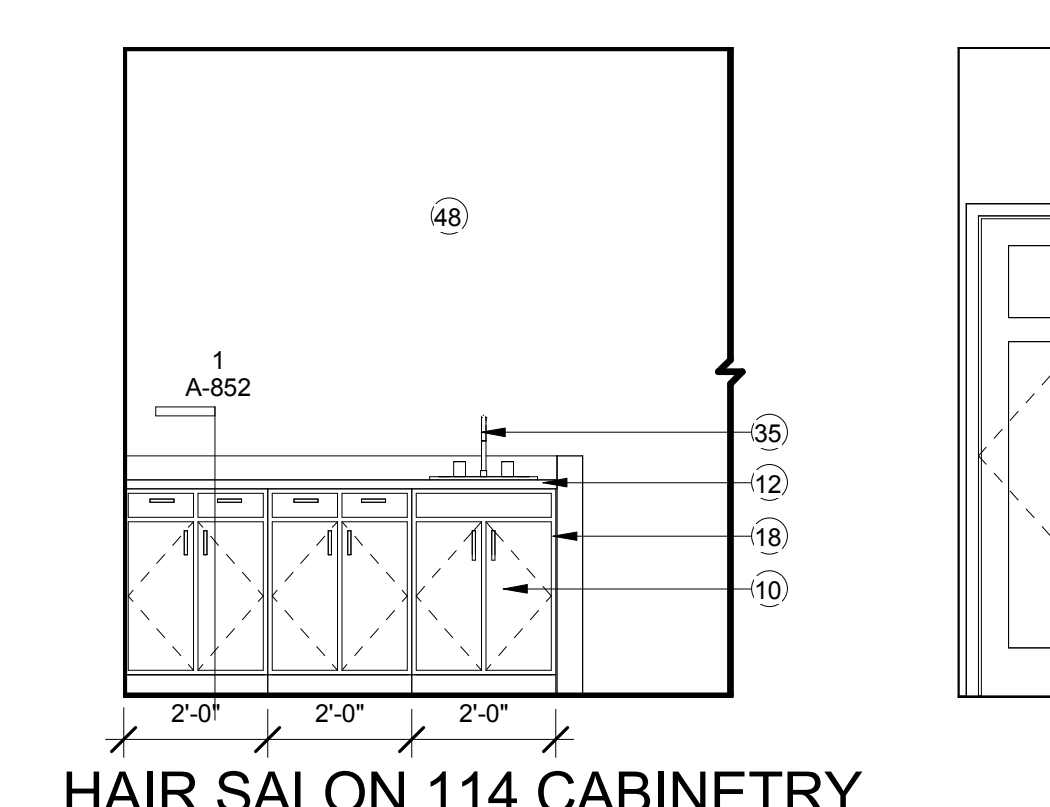
7 THERAPIST WORKSPACE 202A SOUTH
 SCALE: 3/8" = 1'-0"



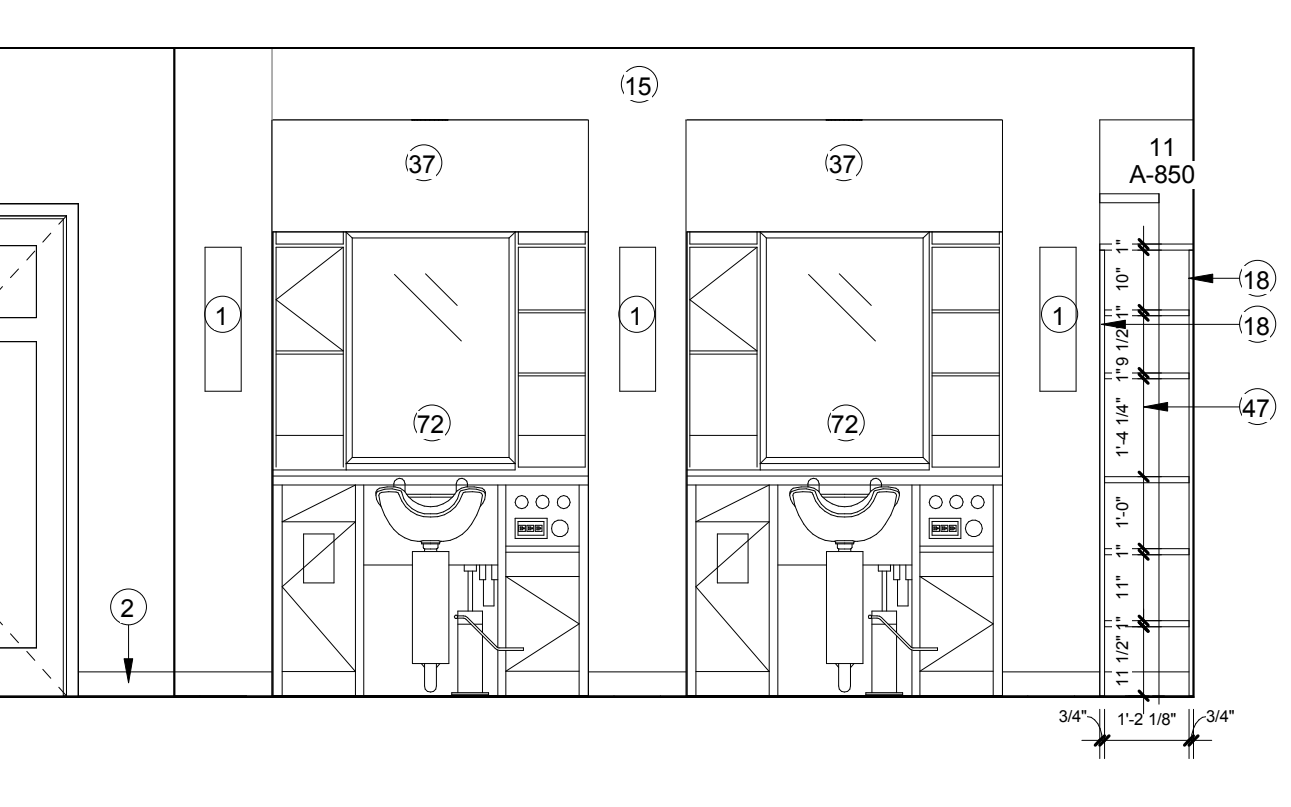
6 THERAPIST WORKSPACE 202A EAST
 SCALE: 3/8" = 1'-0"



12 TYPICAL MOUNTING HEIGHTS
 SCALE: 3/8" = 1'-0"



11 HAIR SALON 114 CABINETRY NORTH
 SCALE: 3/8" = 1'-0"



10 HAIR SALON 114 CABINETRY EAST
 SCALE: 3/8" = 1'-0"

NOTICE: These documents are instruments of professional service and information contained herein is incomplete unless used in conjunction with Lantz-Boggio's interpretations, decisions, observations and administrative matters. Use or reproduction of these documents in whole or part without Lantz-Boggio's consent is in violation of common law, copyright, statutory and other reserved rights. Refer to Act 17 U.S.C., par. 511 (1997), which preempts state and local public records acts. Refer to Act 17 U.S.C., par. 301 (1997).