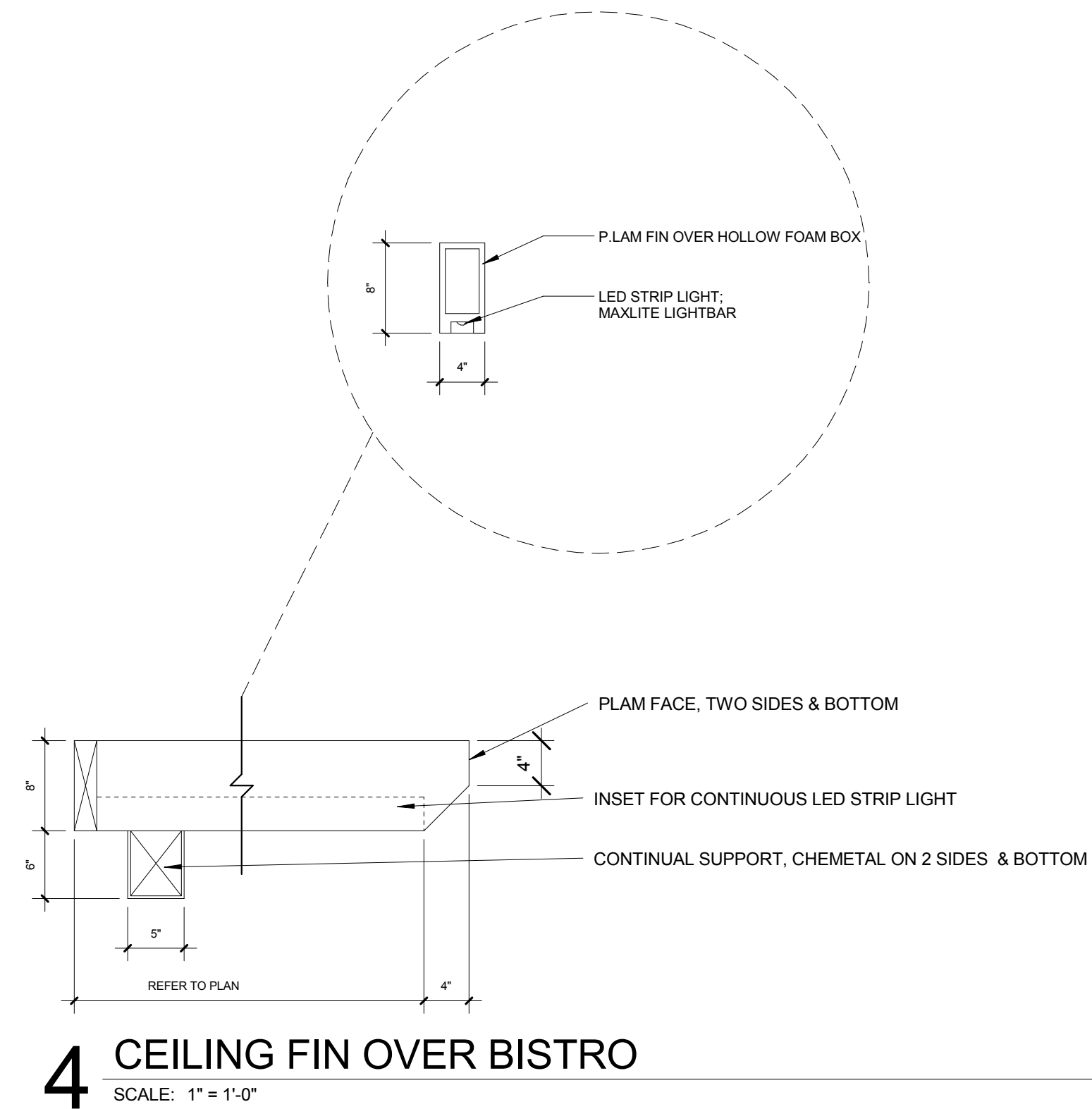
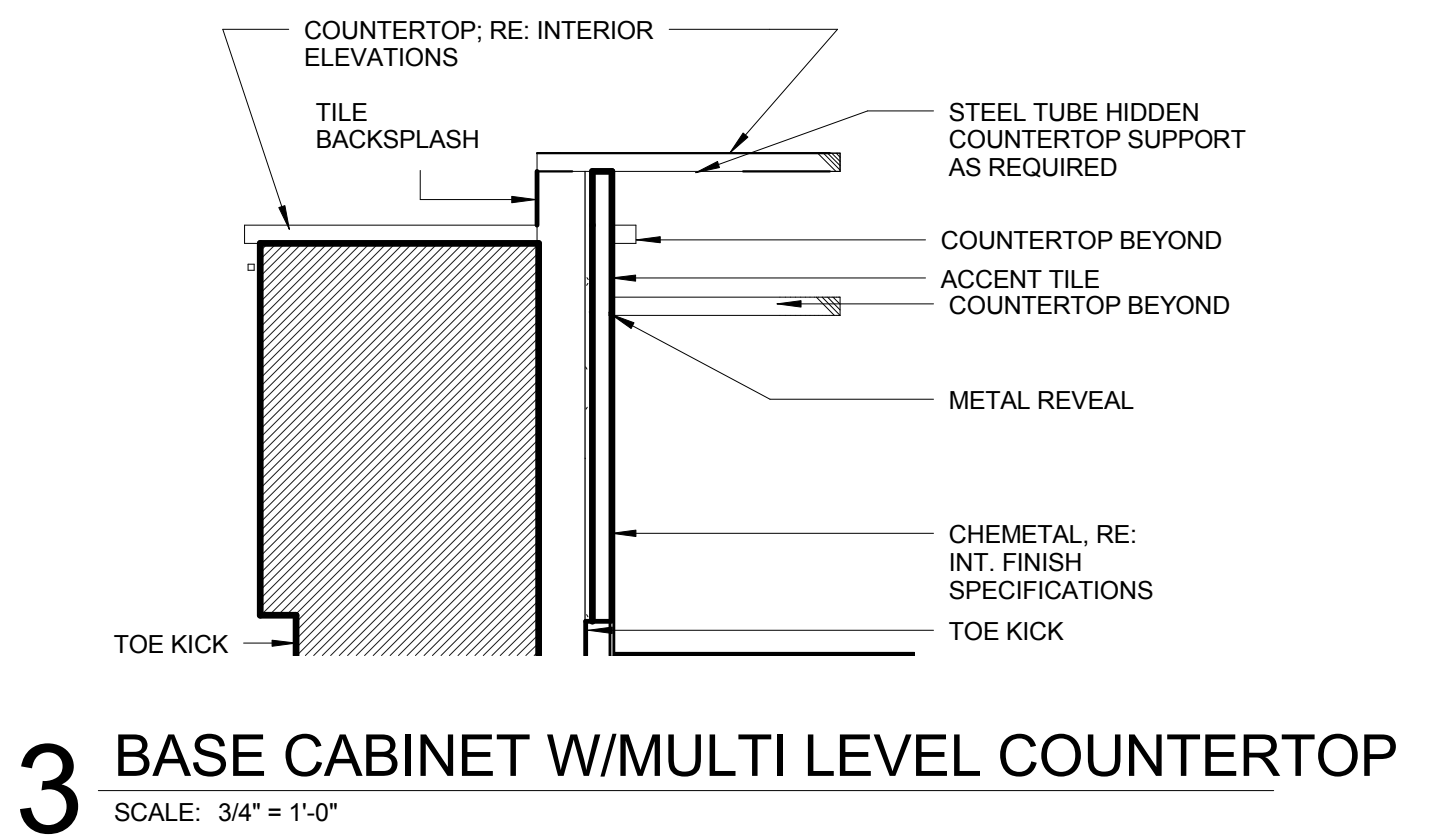


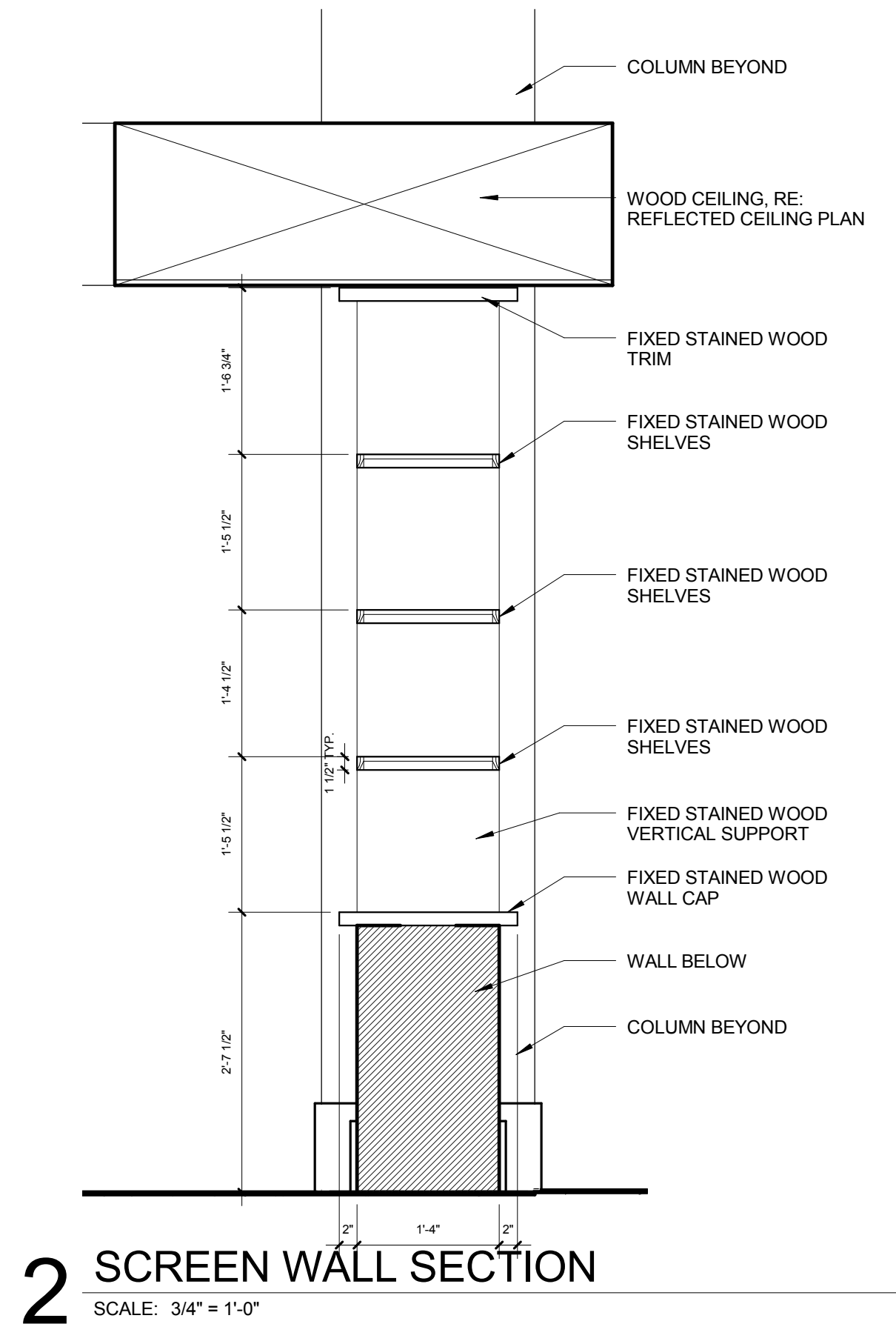
NOTICE: These documents are instruments of professional service and information contained herein is incomplete unless used in conjunction with Lantz-Boggio's interpretations, decisions, observations and administrations. Use or reproduction of these documents in whole or part without Lantz-Boggio's consent is in violation of common law, copyrights, statutory and other reserved rights. Refer to Act 17 U.S.C., par. 511 (1997), which preempts state and local public records act. Refer to Act 17 U.S.C., par 301 (1991).



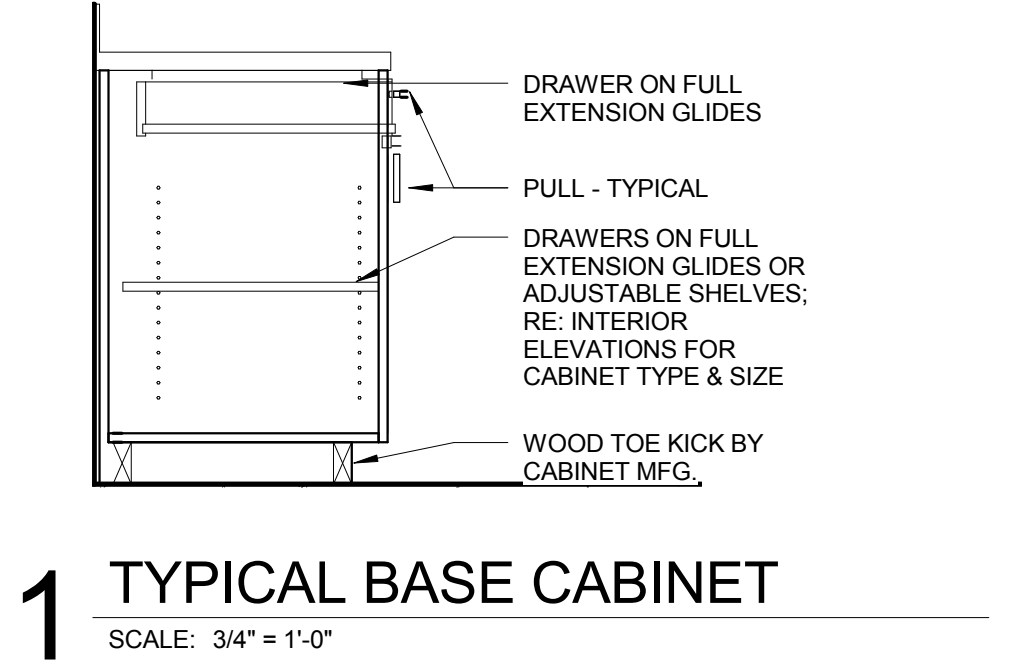
4 CEILING FIN OVER BISTRO
SCALE: 1" = 1'-0"



3 BASE CABINET W/MULTI LEVEL COUNTERTOP
SCALE: 3/4" = 1'-0"



2 SCREEN WALL SECTION
SCALE: 3/4" = 1'-0"



1 TYPICAL BASE CABINET
SCALE: 3/4" = 1'-0"

PIONEER MANOR
Gillette/ Wyoming
2012.3000

Owner:
Campbell County Memorial Hospital
501 South Burns Ave.
Gillette, WY 82716
P.O. Box 3011
Gillette, WY 82717
Ph. 307.688.1000

Civil Engineer:
PCA Engineering, Inc.
P.O. Box 2185
4506 Wigwam Blvd.
Gillette, WY 82718
Ph. 307.687.0600
Contact: Clark Sanders

Structural Engineer:
Jirsa Hedrick & Associates
7000 E. Bellevue Ave. Suite 250
Greenwood Village, CO 80111
Ph. 303.839.1963
Contact: Steve Jirsa

Mechanical/Plumbing Engineer:
Given & Associates, Inc.
735 S. Xenon Court, Suite 201
Lakewood, CO 80228
Ph. 303.716.1270
Contact: Jeff Given

Electrical Engineer:
Alber Engineering
5173 Oak Hollow Drive
Morrison, CO 80465
Ph. 303.736.2739
Contact: Jerry Alber

Interior Design:
LBA Interiors
5650 DTC Parkway, Suite 100
Englewood, CO 80111
Ph. 303.773.0436
Contact: Mary Lou Parham

Food Service:
United Restaurant Supply, Inc.
725 Clark Place
Colorado Springs, CO 80915
Ph. 719.574.3220
Contact: Jon Bluhm

Landscape Architect:
Four Front Design, Inc.
517 7th Street
Rapid City, SD 57701
Ph. 605.342.9470
Contact: Eirik Heikes

No.	Date	Description
1	12/05/2013	Addendum 2

Seal:

Key Plan:

LBA Project Number: 2012.3000
Date: October 31, 2013

INTERIOR DETAILS

A-852