

Owner:
 Campbell County Memorial Hospital
 501 South Burma Ave.
 Gillette, WY 82716
 P.O. Box 3011
 Gillette, WY 82717
 Ph. 307.688.1000

Civil Engineer:
 PCA Engineering, Inc.
 P.O. Box 2185
 4506 Wigwam Blvd.
 Gillette, WY 82718
 Ph. 307.687.0800
 Contact: Clark Sanders

Structural Engineer:
 Jirsa Hedrick & Associates
 7000 E. Bellevue Ave. Suite 250
 Greenwood Village, CO 80111
 Ph. 303.839.1963
 Contact: Steve Jirsa

Mechanical/Plumbing Engineer:
 Given & Associates, Inc.
 735 S. Xenon Court, Suite 201
 Lakewood, CO 80228
 Ph. 303.716.1270
 Contact: Jeff Given

Electrical Engineer:
 Alber Engineering
 5173 Oak Hollow Drive
 Morrison, CO 80465
 Ph. 303.736.2739
 Contact: Jerry Alber

Interior Design:
 LBA Interiors
 5650 DTC Parkway, Suite 100
 Englewood, CO 80111
 Ph. 303.773.0436
 Contact: Mary Lou Parham

Food Service:
 United Restaurant Supply, Inc.
 725 Clark Place
 Colorado Springs, CO 80915
 Ph. 719.574.3220
 Contact: Jon Bluhm

Landscape Architect:
 Four Front Design, Inc.
 517 7th Street
 Rapid City, SD 57701
 Ph. 605.342.9470
 Contact: Eirik Heikes

No.	Date	Description
1	05/17/2013	Design Development
2	07/03/2013	Foundation Permit Issue
3	09/08/2013	Bid Pack #2 - Foundation & Steel
4	10/31/2013	Construction Documents

Seal:

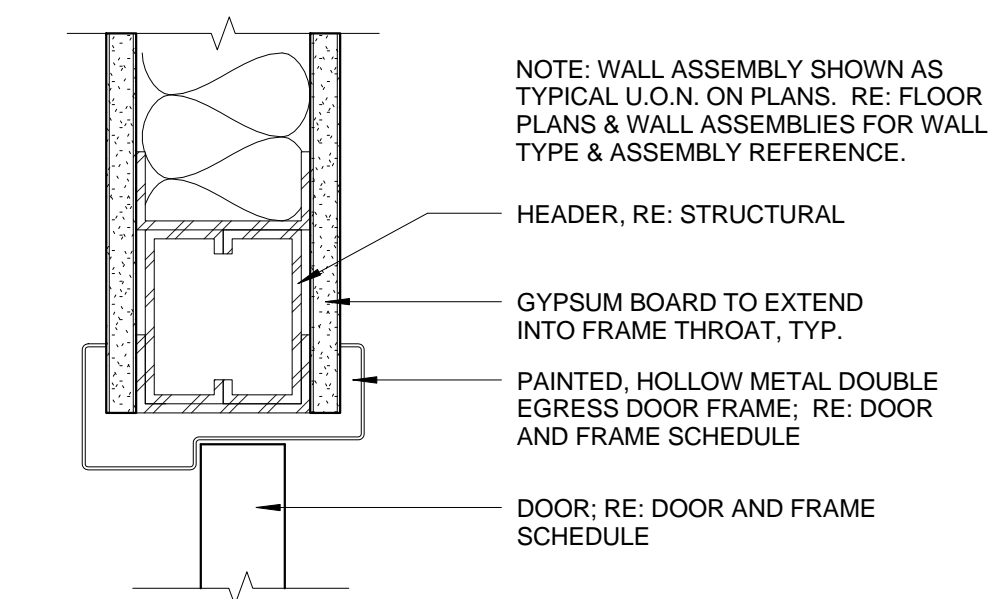
Key Plan:

LBA Project Number: 2012.3000
 Date: October 31, 2013

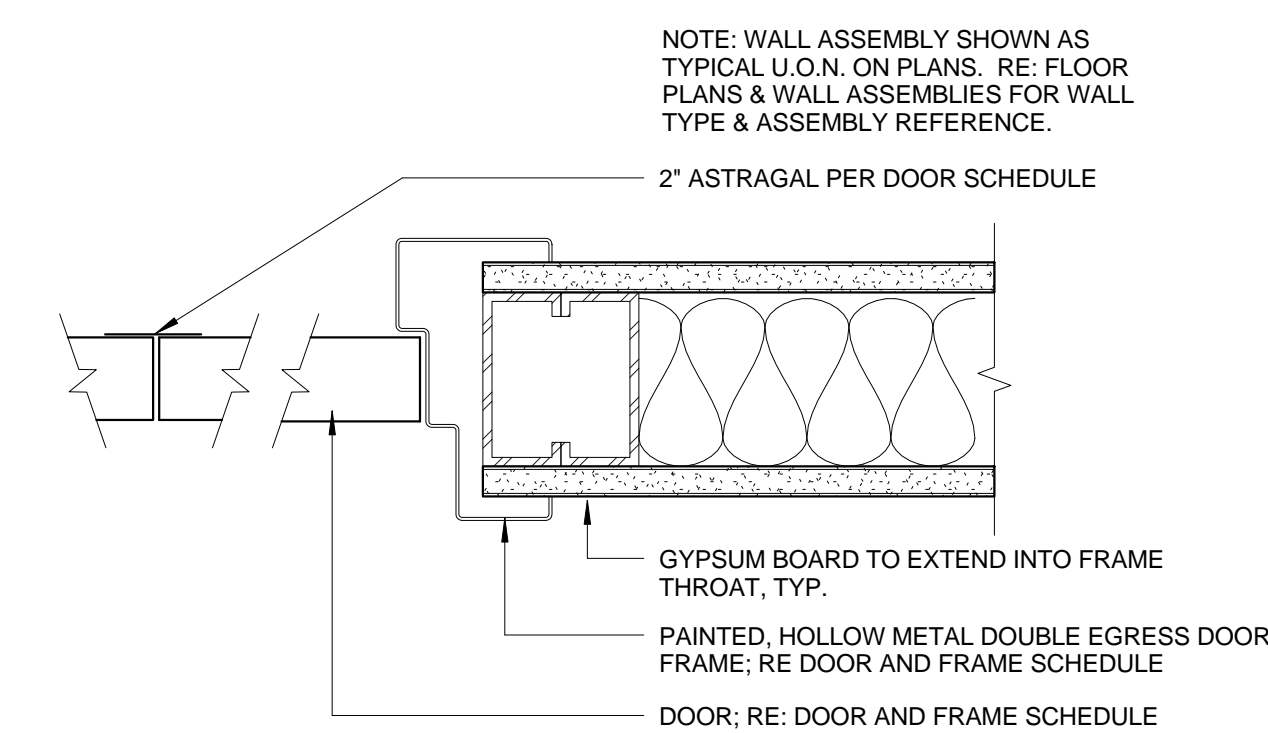
INTERIOR DOOR DETAILS

A-902

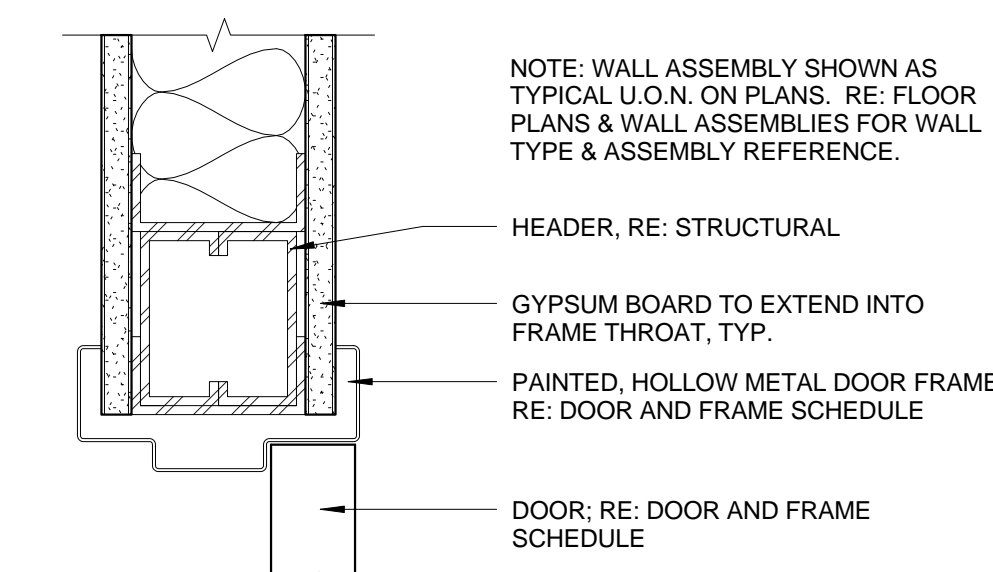
DRAWN BY: Author



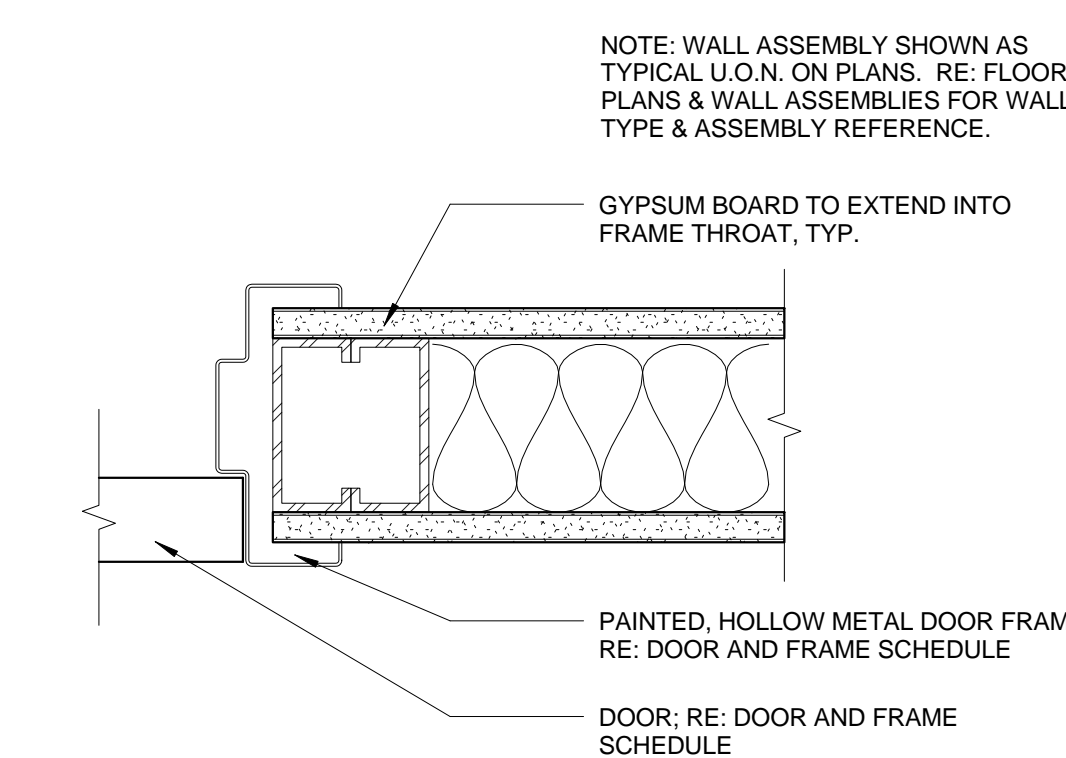
6 DOUBLE EGRESS DOOR HEAD
 SCALE: 3" = 1'-0"



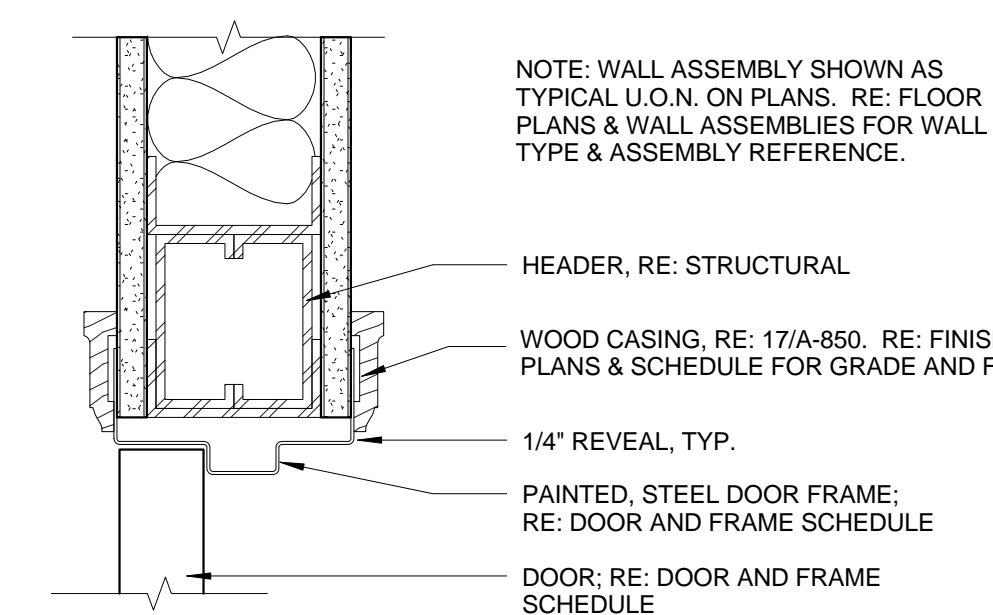
5 DOUBLE EGRESS DOOR JAMB
 SCALE: 3" = 1'-0"



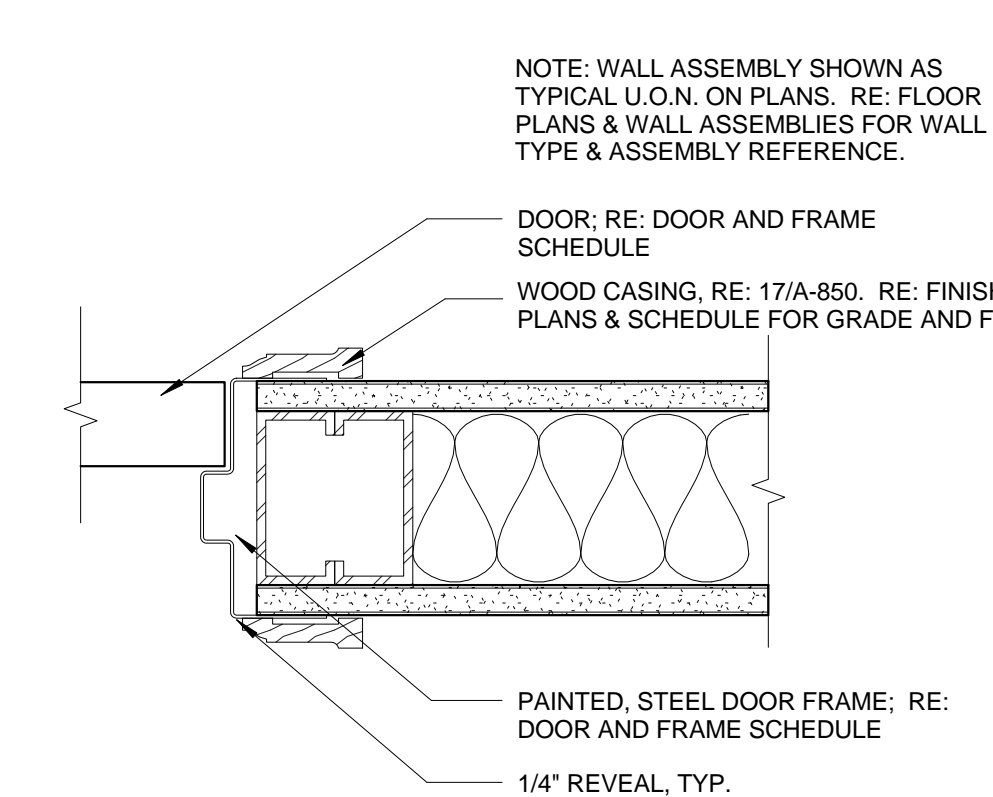
4 H.M. DOOR HEAD
 SCALE: 3" = 1'-0"



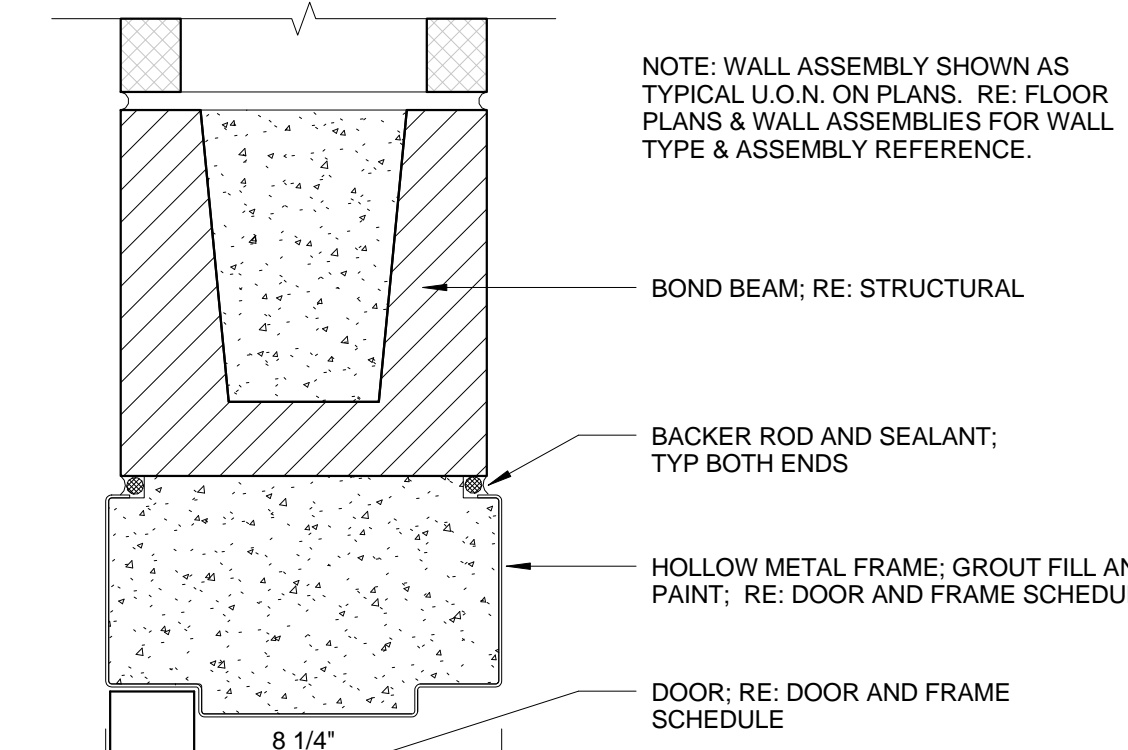
3 H.M. DOOR JAMB
 SCALE: 3" = 1'-0"



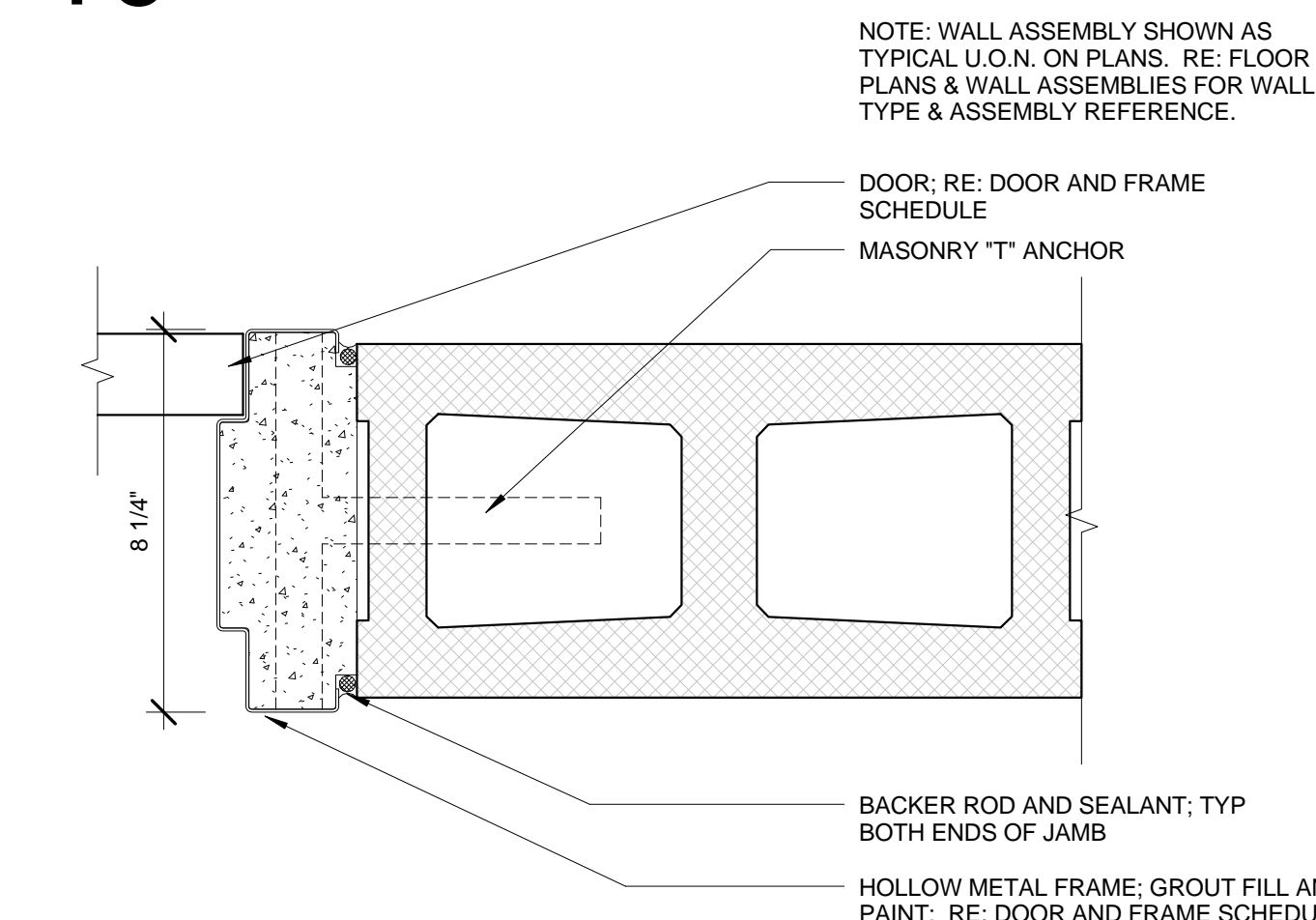
2 DOOR HEAD DETAIL
 SCALE: 3" = 1'-0"



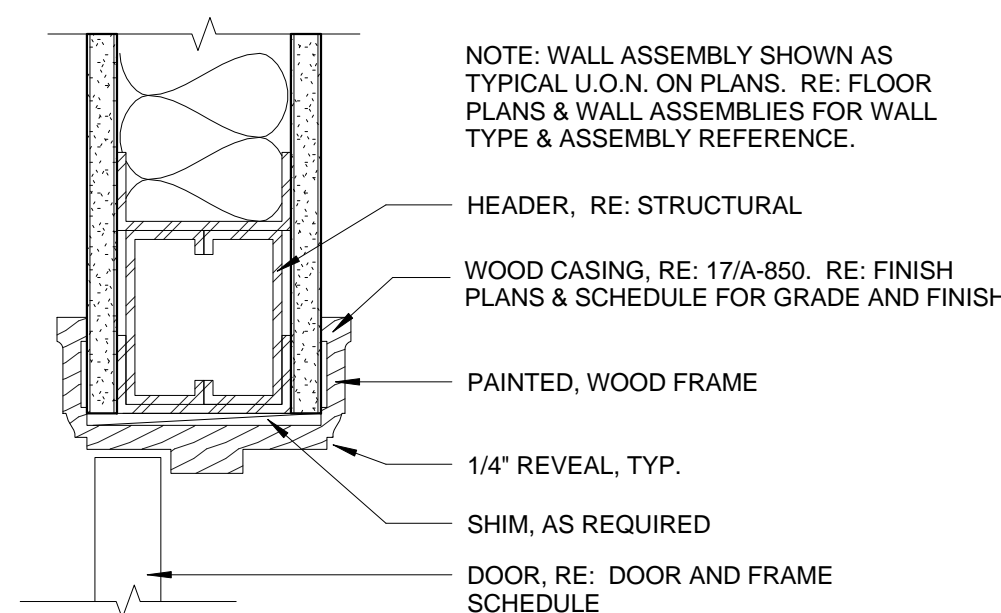
1 DOOR JAMB DETAIL
 SCALE: 3" = 1'-0"



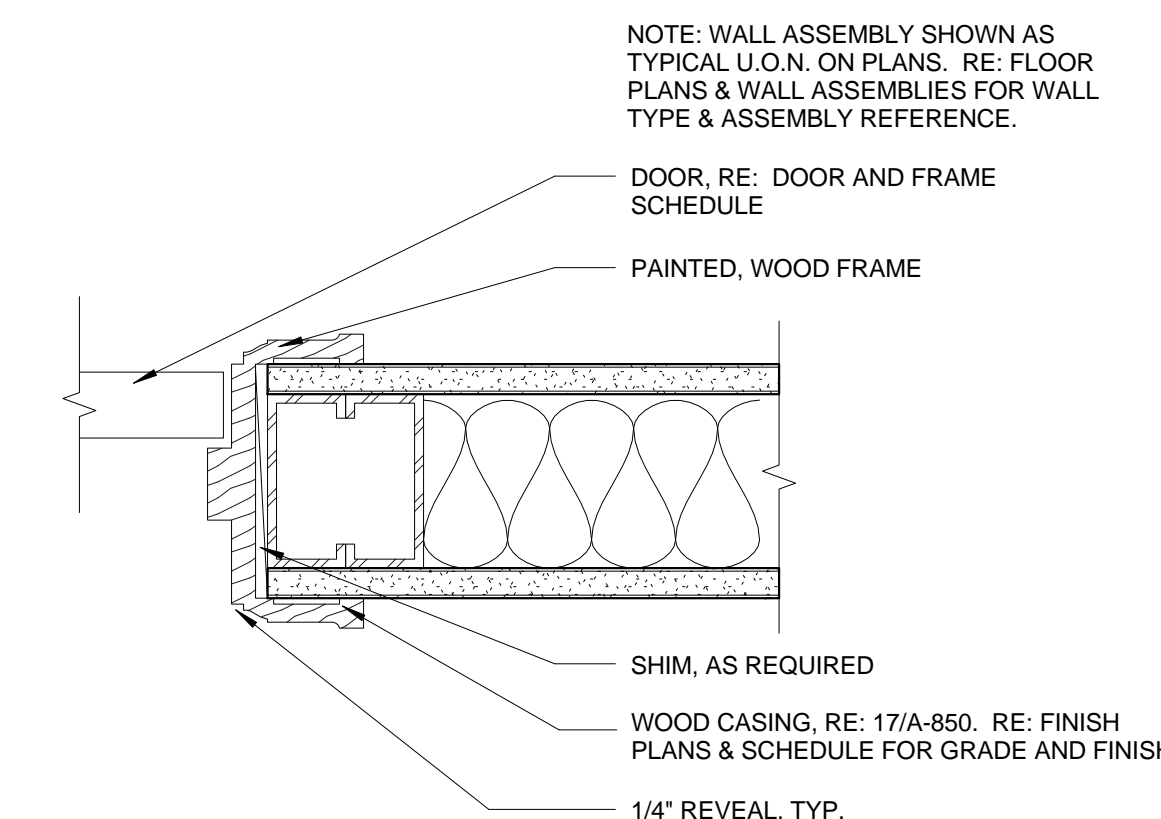
10 DOOR HEAD AT INTERIOR CMU
 SCALE: 3" = 1'-0"



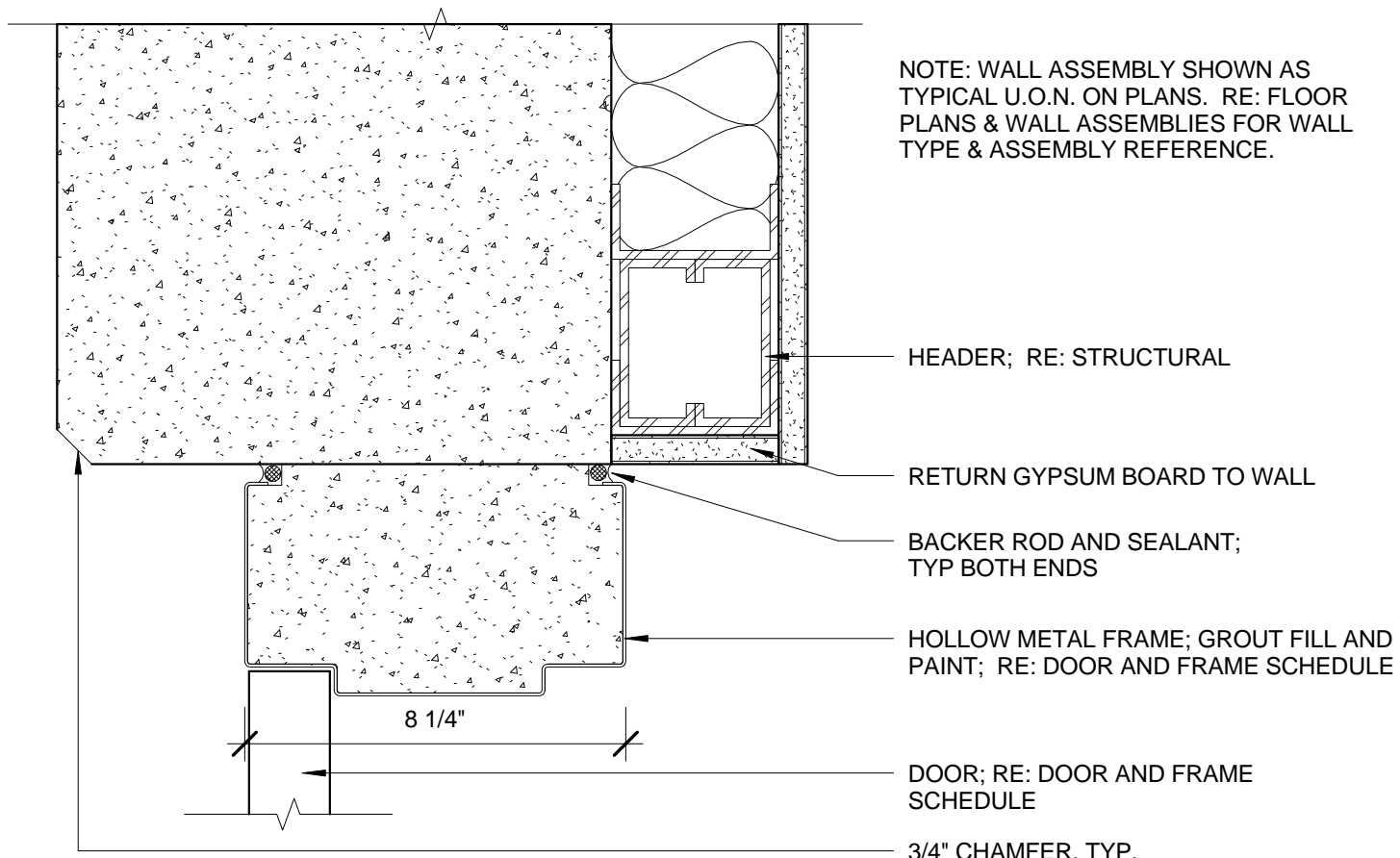
9 DOOR JAMB AT INTERIOR CMU
 SCALE: 3" = 1'-0"



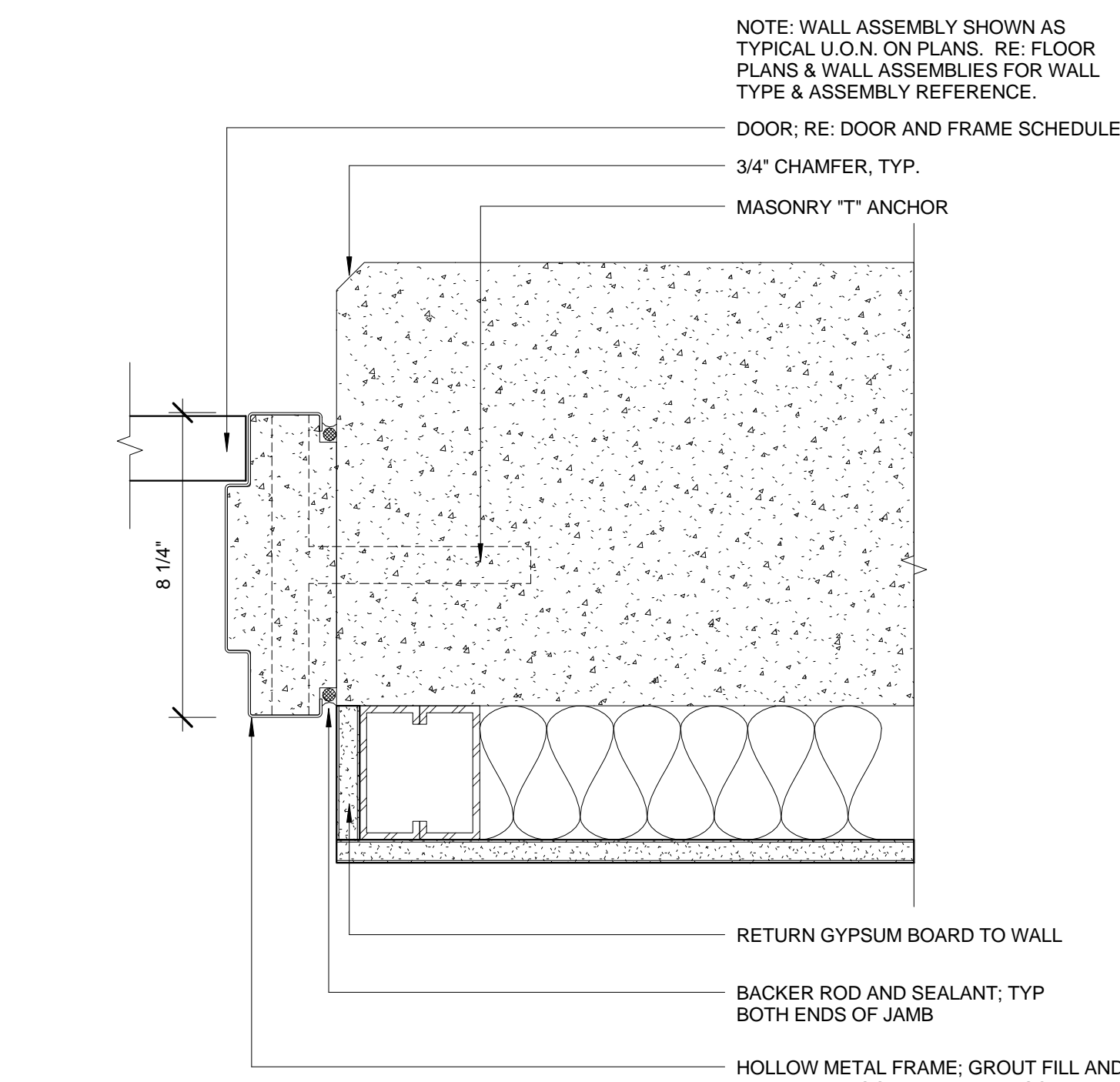
8 PRE-HUNG DOOR HEAD
 SCALE: 3" = 1'-0"



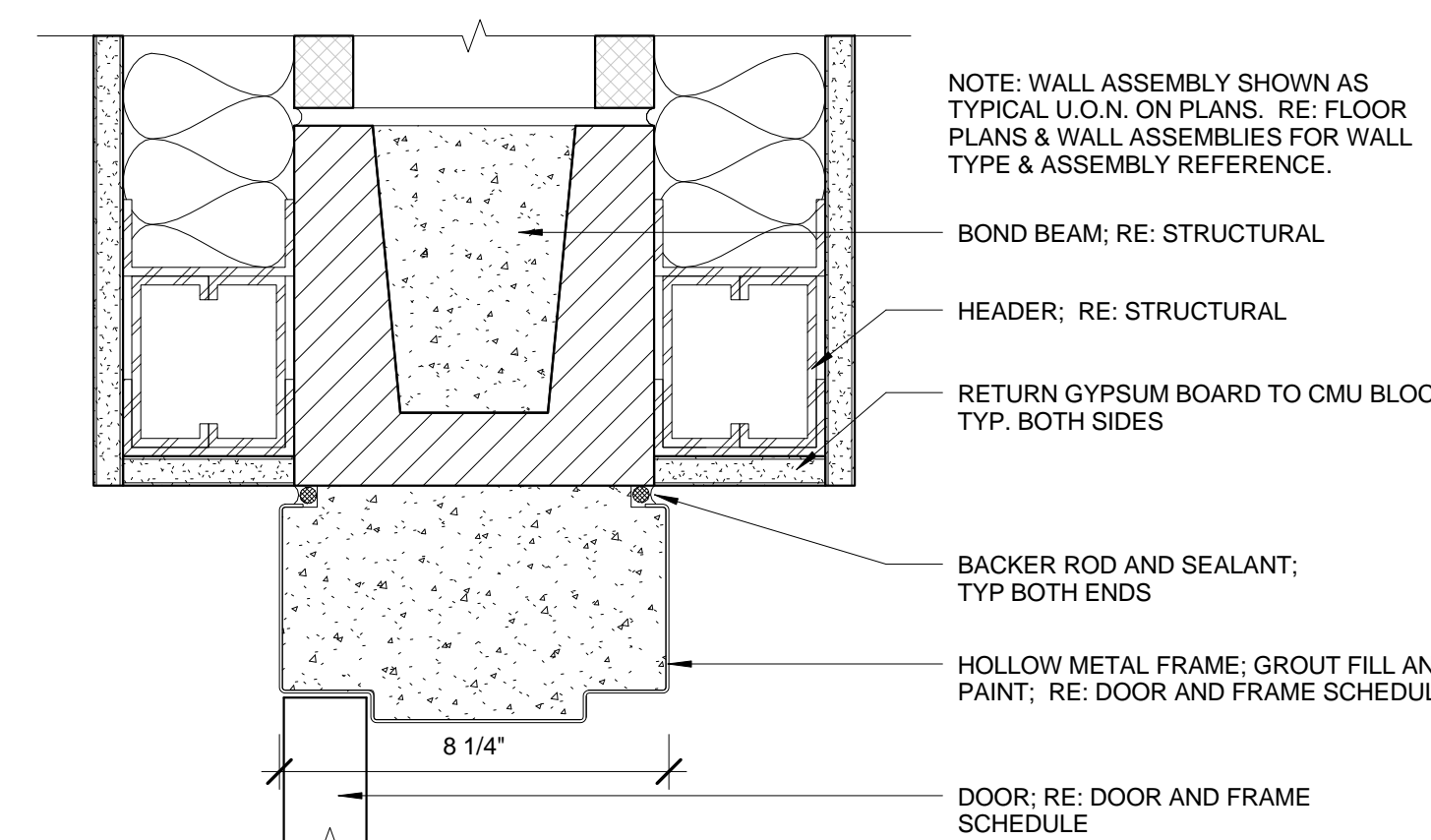
7 PRE-HUNG DOOR JAMB
 SCALE: 3" = 1'-0"



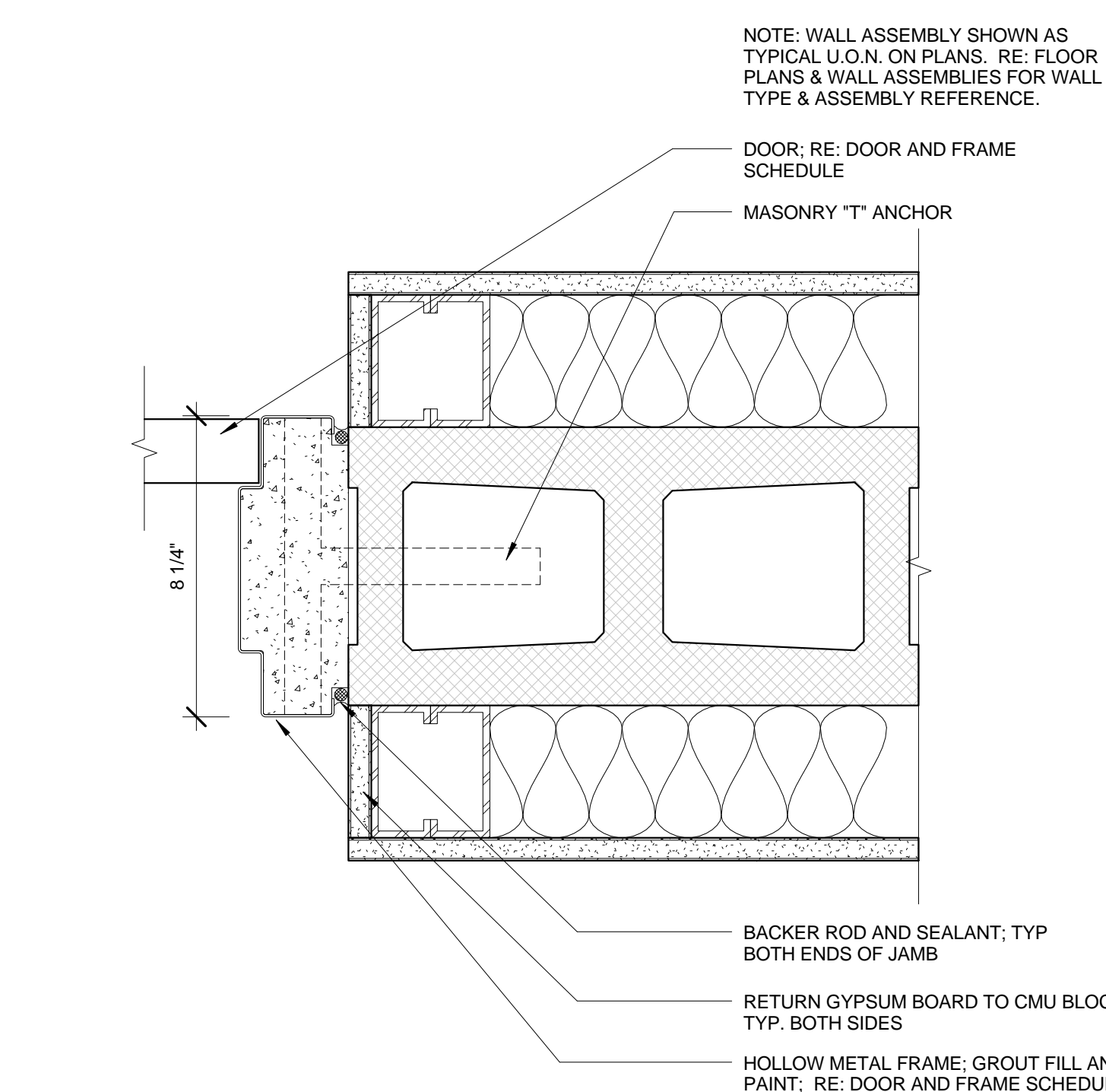
14 DOOR HEAD AT STRUC. WALL
 SCALE: 3" = 1'-0"



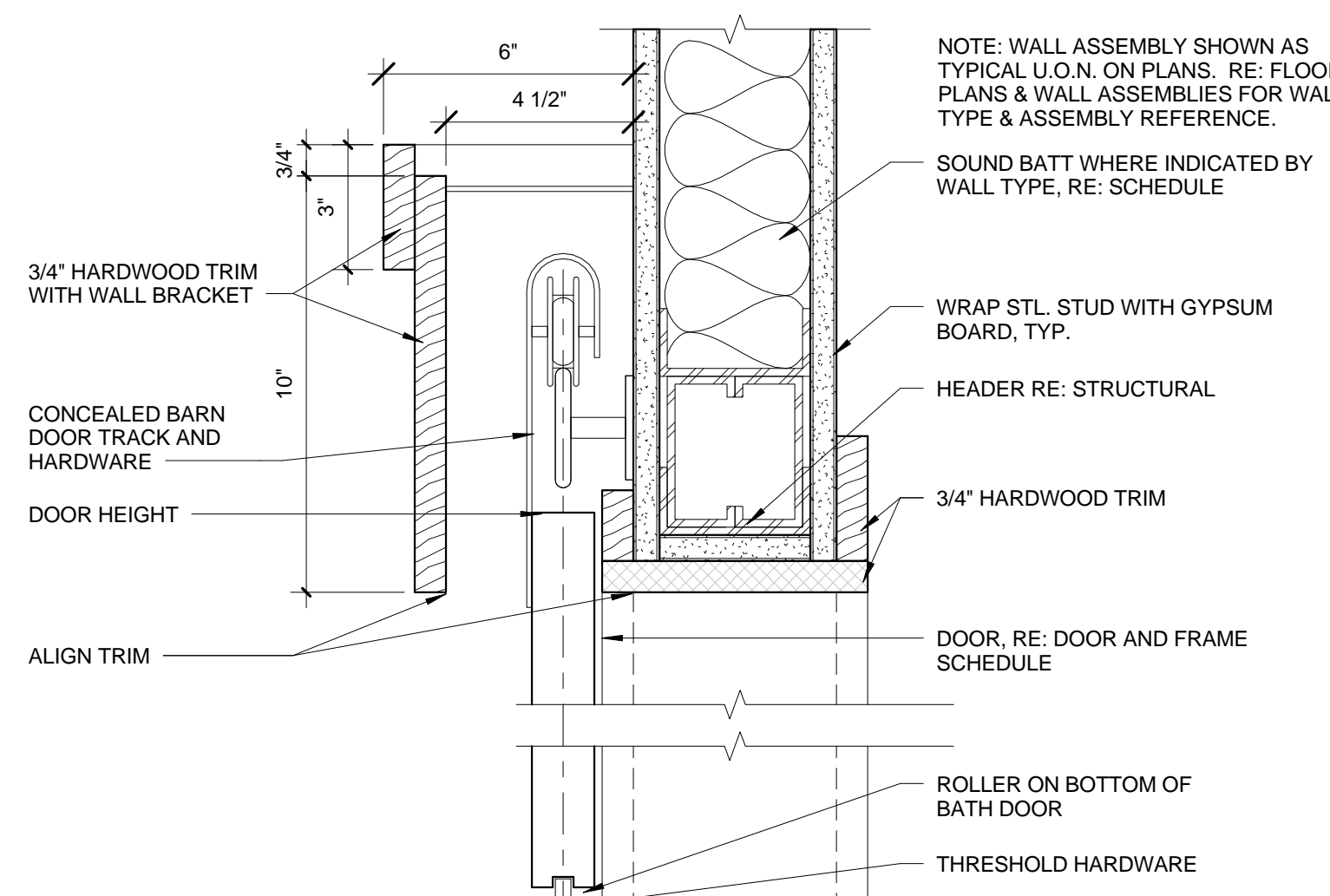
13 DOOR JAMB AT STRUC. WALL
 SCALE: 3" = 1'-0"



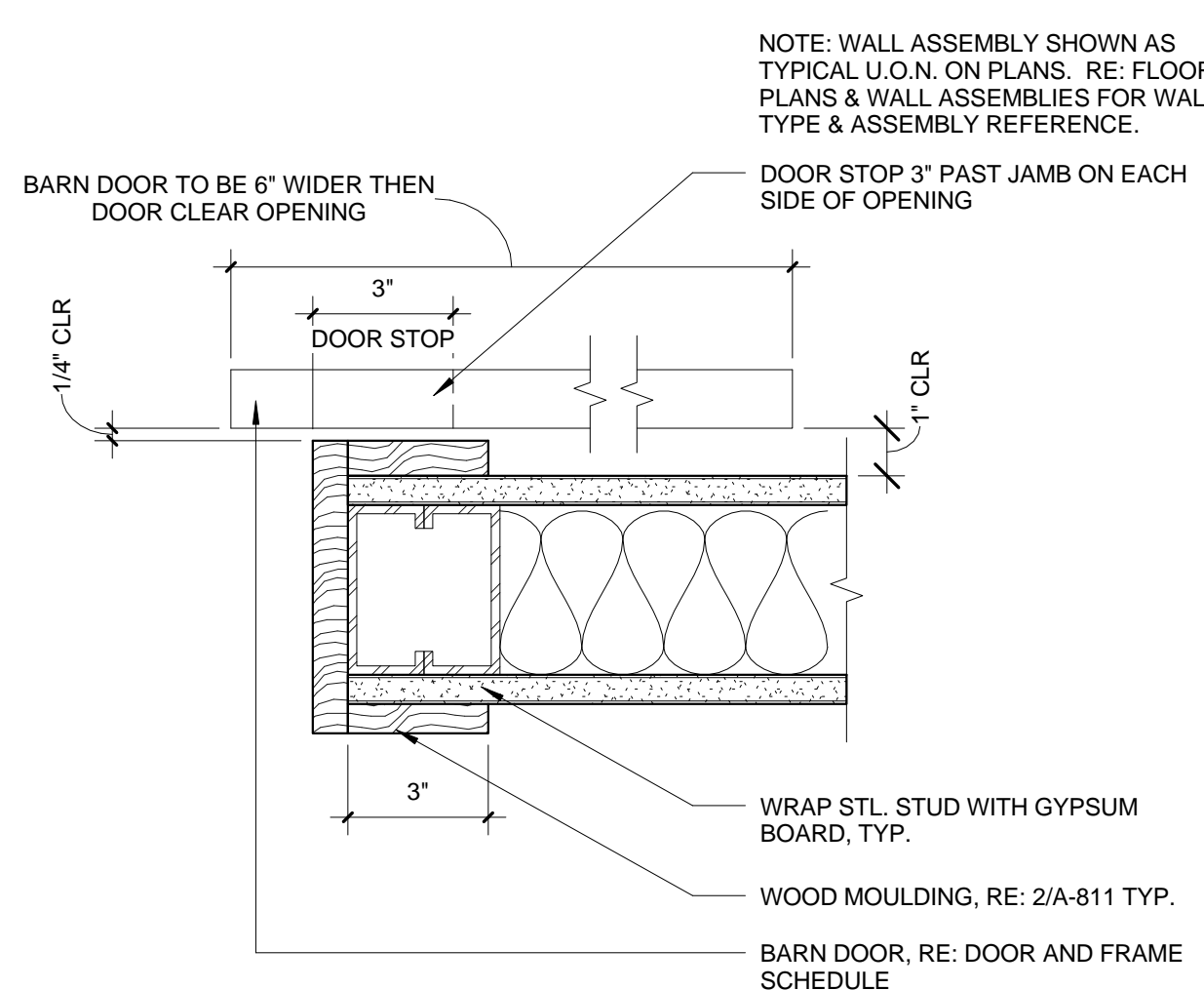
12 DOOR HEAD AT CMU
 SCALE: 3" = 1'-0"



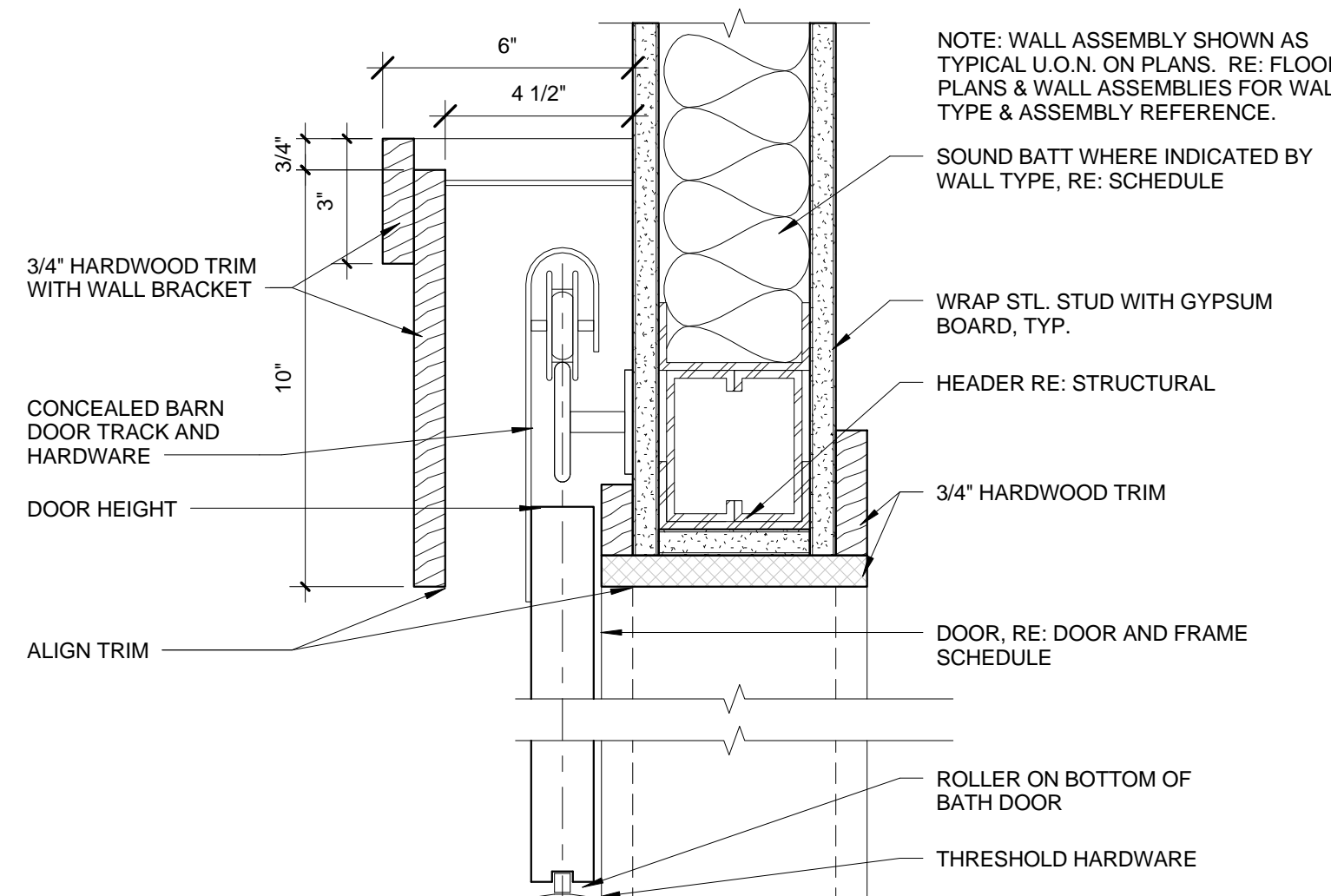
11 DOOR JAMB AT CMU
 SCALE: 3" = 1'-0"



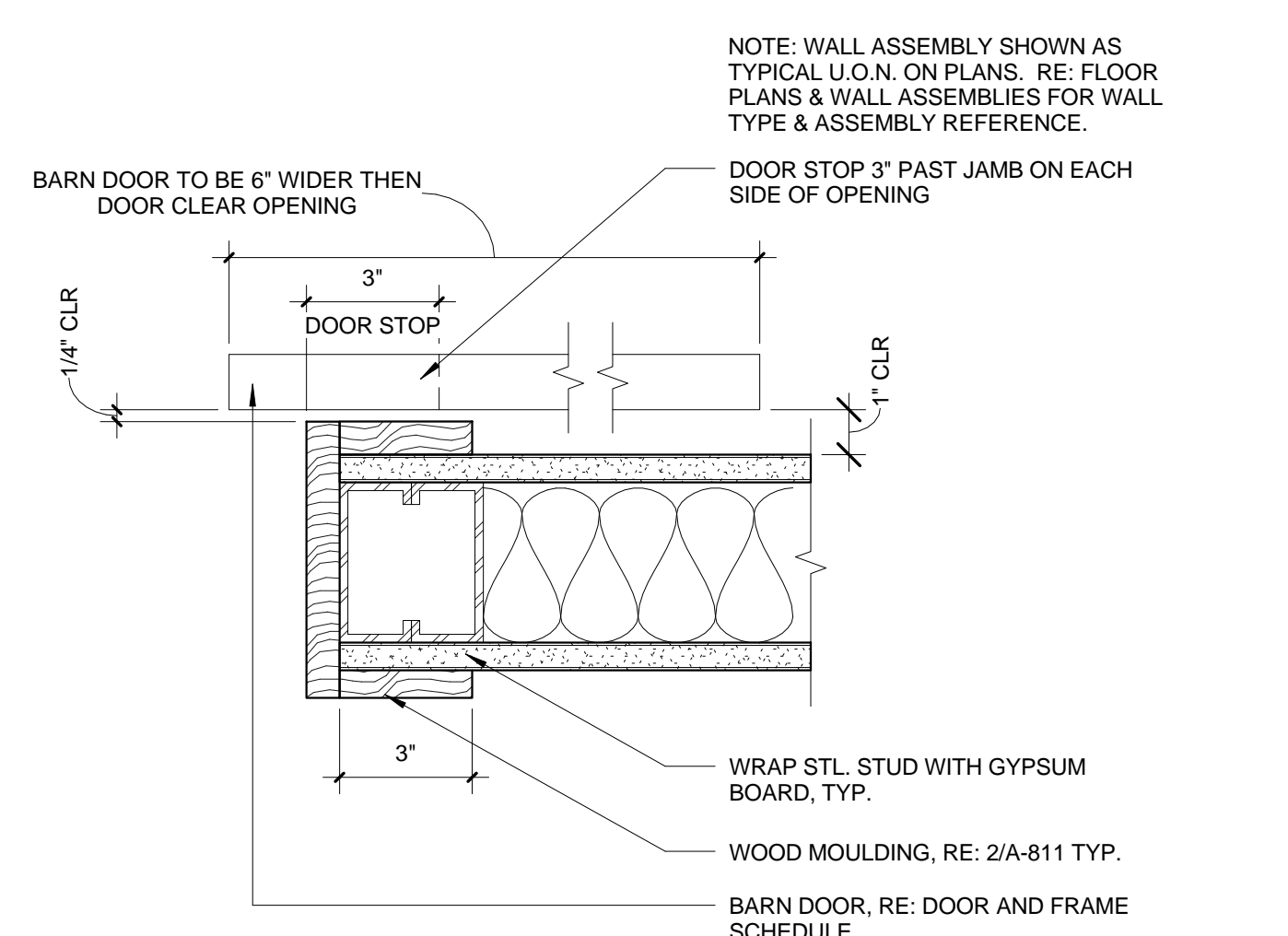
18 BARN DOOR HEAD DETAIL
 SCALE: 3" = 1'-0"



17 BARN DOOR JAMB DETAIL
 SCALE: 3" = 1'-0"



16 THEATER BARN DOOR HEAD DETAIL
 SCALE: 3" = 1'-0"



15 THEATER BARN DOOR JAMB DETAIL
 SCALE: 3" = 1'-0"

NOTICE: These documents are instruments of professional service and information contained therein is incomplete unless used in conjunction with Lantz-Boggio's interpretations, decisions, observations and administrative. Use or reproduction of these documents in whole or part without Lantz-Boggio's consent is in violation of common law, copyrights, statutory and other reserved rights. Refer to Act 17 U.S.C., par. 511 (1991), which preempts state and local public records acts. Refer to Act 17 U.S.C., par. 301 (1991).