

NOTICE: These documents are instruments of professional service and information contained therein is incomplete unless used in conjunction with Lantz-Boggio's interpretations, decisions, observations and administrative. Use or reproduction of these documents in whole or part without Lantz-Boggio's consent is in violation of common law, copyright, statutory and other reserved rights. Refer to Act 17 U.S.C. par. 511 (1991), which prompts state and local public records act. Refer to Act 17 U.S.C. par. 301 (1991).

PIONEER MANOR
 Gillette/ Wyoming
 2012.3000

Owner:
 Campbell County Memorial Hospital
 501 South Burma Ave.
 Gillette, WY 82716
 P.O. Box 3011
 Gillette, WY 82717
 Ph. 307.688.1000

Civil Engineer:
 PCA Engineering, Inc.
 P.O. Box 2185
 4506 Wigwam Blvd.
 Gillette, WY 82718
 Ph. 307.687.0600
 Contact: Clark Sanders

Structural Engineer:
 Jirsa Hedrick & Associates
 7000 E. Bellevue Ave., Suite 250
 Greenwood Village, CO 80111
 Ph. 303.839.1963
 Contact: Steve Jirsa

Mechanical/Plumbing Engineer:
 Given & Associates, Inc.
 735 S. Xenon Court, Suite 201
 Lakewood, CO 80228
 Ph. 303.716.1270
 Contact: Jeff Given

Electrical Engineer:
 Alber Engineering
 5173 Oak Hollow Drive
 Morrison, CO 80465
 Ph. 303.736.2739
 Contact: Jerry Alber

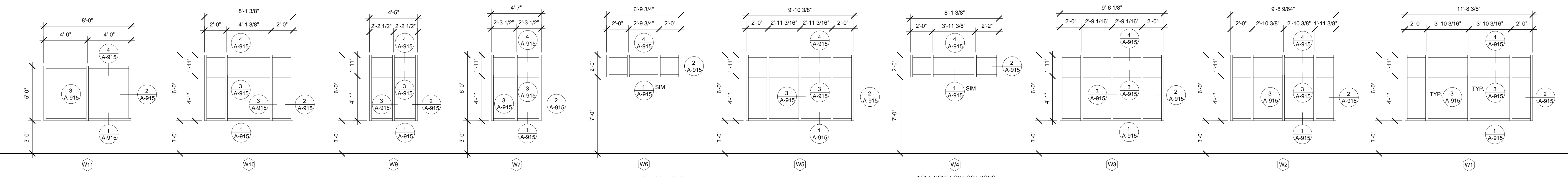
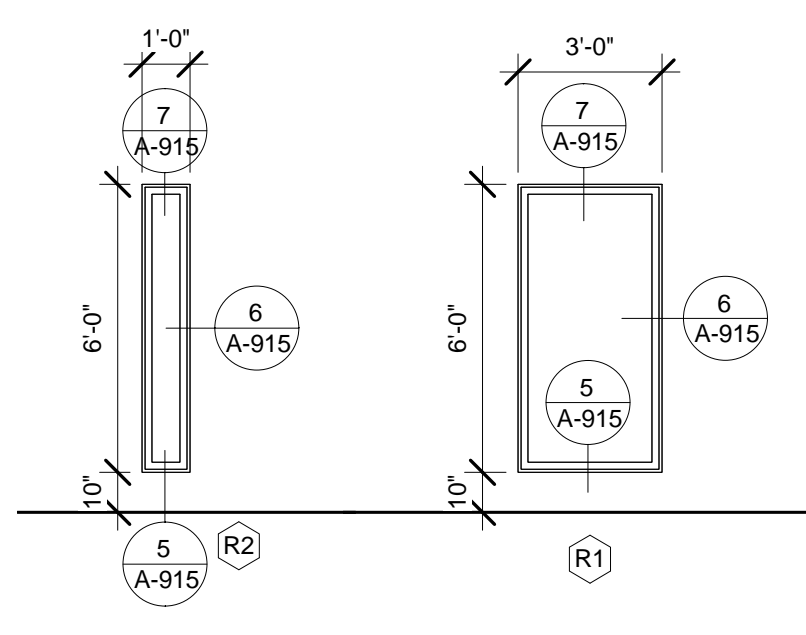
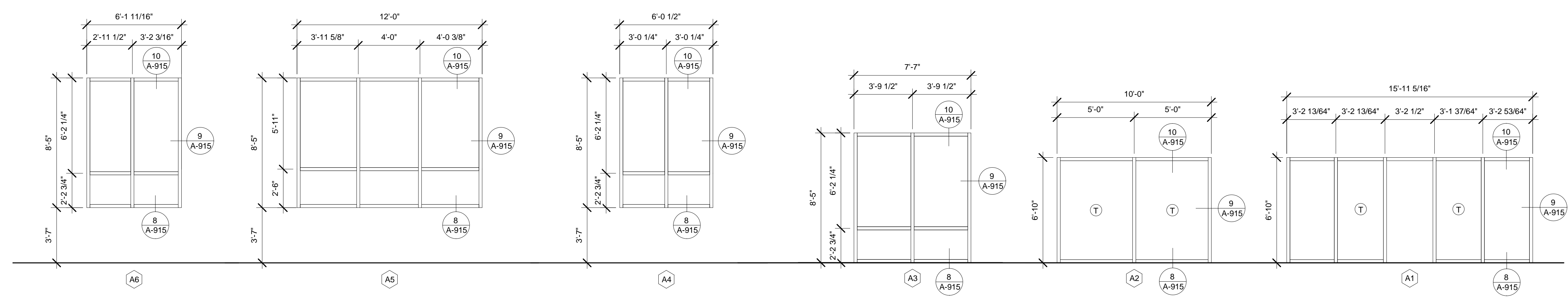
Interior Design:
 LBA Interiors
 5650 DTC Parkway, Suite 100
 Englewood, CO 80111
 Ph. 303.773.0436
 Contact: Mary Lou Parham

Food Service:
 United Restaurant Supply, Inc.
 725 Clark Place
 Colorado Springs, CO 80915
 Ph. 719.574.3220
 Contact: Jon Bluhm

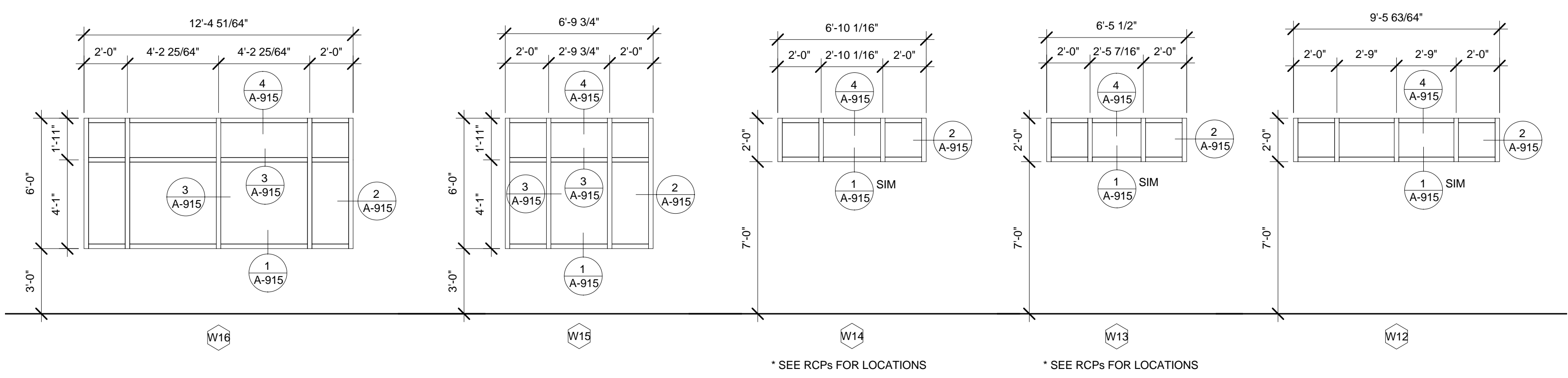
Landscape Architect:
 Four Front Design, Inc.
 517 7th Street
 Rapid City, SD 57701
 Ph. 605.342.9470
 Contact: Eirik Heikes

GENERAL NOTES:

- INTERNAL GRIDS AT GLAZING AS INDICATED.
- GLAZING TO BE INSULATED AT ALL EXTERIOR DOORS AND WINDOWS AND AS INDICATED ON SCHEDULE.
- ALL WINDOWS AND GLAZING SHALL COMPLY WITH THE IBC AS WELL AS ALL OTHER APPLICABLE CODES AND REGULATIONS.
- DOORS, BARRYLITE WINDOWS AND FRAMES ARE TO BE APPROPRIATELY LABELED FOR SMOKE AND/OR FIRE, RE: WINDOW SCHEDULE AND CODE COMPLIANCE PLANS.
- ALL OPERABLE WINDOWS ARE TO BE PROVIDED AND HAVE INSTALLED LIMIT STOPS WITH RESTRICT THE OPENABLE HEIGHT TO 6" MAX.
- WALL ASSEMBLY SHOWN AS TYPICAL U.O.N. ON PLANS. RE: FLOOR PLANS & WALL ASSEMBLIES FOR WALL TYPE & ASSEMBLY REFERENCE.
- MAINTAIN POSITIVE SLOPE ON HORIZONTAL LEG OF FLASHING. TYPICAL ALL LOCATIONS; RE: DETAILS.



* SEE RCPs FOR LOCATIONS



* SEE RCPs FOR LOCATIONS

No.	Date	Description
1	06/17/2013	Design Development
2	07/03/2013	Foundation Permit Issue
3	09/06/2013	Bid Pack #2 - Foundation & Steel
4	10/31/2013	Construction Documents

Seal:

Key Plan:

LBA Project Number: 2012.3000
 Date: October 31, 2013

INTERIOR WINDOW ELEVATIONS

A-911